

GRAND COLLECTION

SHAKER

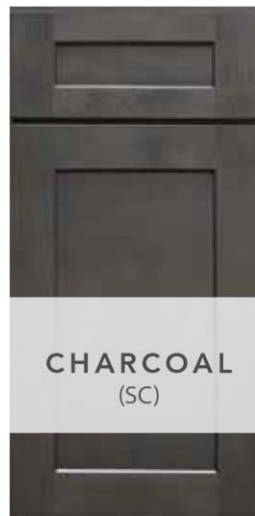
(Specifications subject to change without notice)



- Framed Cabinet with Full Overlay Doors and Drawers
- Under Mount Full Extension DTC Soft Close Drawers Glides
- Concealed European Style Hinges with Soft Close Feature
- 5 Piece HDF Door
- 5 Piece HDF Drawer Front
- ½" Plywood Box with UV Coated Matching Exterior
- Glue & Staple or Metal Clip Assembly
- UV Coated Natural Interior



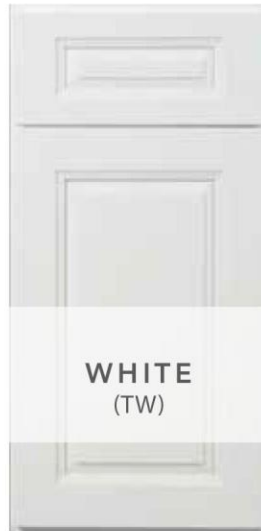
- Framed Cabinet with Full Overlay Doors & Drawers
- Under Mount Full Extension DTC Soft Close Drawers Glides
- Concealed European Style Hinges with Soft Close Feature
- 5 Piece HDF Door and Drawer Front
- ½" Plywood Box with UV Coated Matching Exterior
- Glue & Staple or Metal Clip Assembly
- UV Coated Natural Interior



- Framed Cabinet with Full Overlay Doors and Drawers
- Under Mount Full Extension DTC Soft Close Drawers Glides
- Concealed European Style Hinges with Soft Close Feature
- Solid Birch Door Frame with Solid Birch Center Panel
- Solid Birch Drawer Front with Veneered MDF Center Panel
- ½" Plywood Box with UV Coated Matching Exterior
- Glue & Staple or Metal Clip Assembly
- UV Coated Natural Interior

TRADITIONAL

(Specifications subject to change without notice)



WHITE
(TW)



DOVE
(TW)

- Framed Cabinet with Full Overlay Doors and Drawers
- Under Mount Full Extension DTC Soft Close Drawers Glides
- Concealed European Style Hinges with Soft Close Feature
- Five Piece HDF Door
- Five Piece HDF Drawer Front
- ½" Plywood Box with UV Coated Matching Exterior
- Glue & Staple or Metal Clip Assembly
- UV Coated Natural Interior

CAMEO

(Specifications subject to change without notice)



WHITE
(CW)

- Framed Cabinet with Full Overlay Doors and Drawers
- Under Mount Full Extension DTC Soft Close Drawers Glides
- Concealed European Style Hinges with Soft Close Feature
- Five Piece HDF Door
- Five Piece HDF Drawer Front
- ½" Plywood Box with UV Coated Matching Exterior
- Glue & Staple or Metal Clip Assembly
- UV Coated Natural Interior



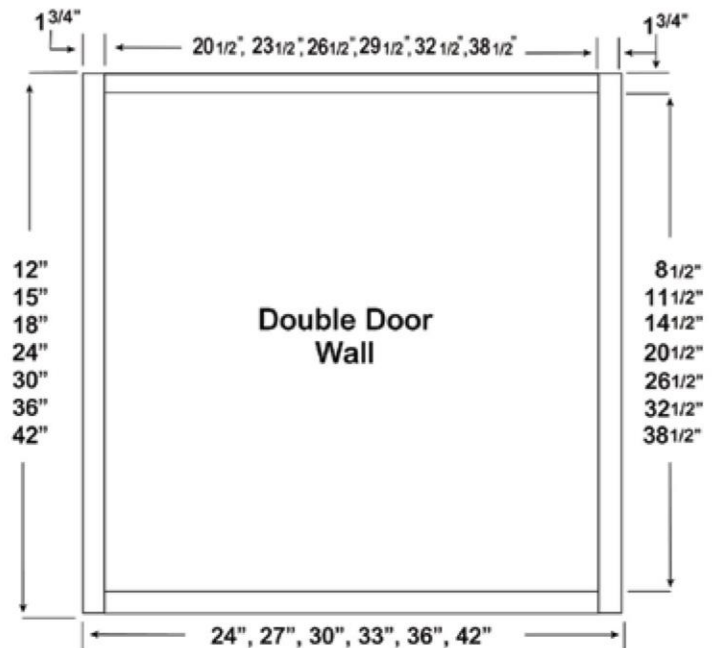
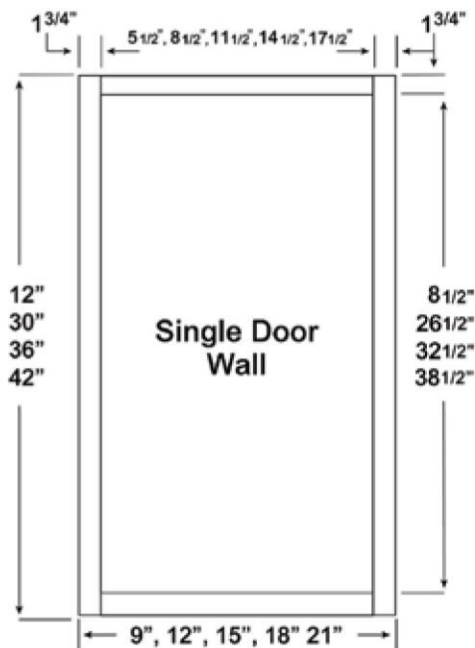
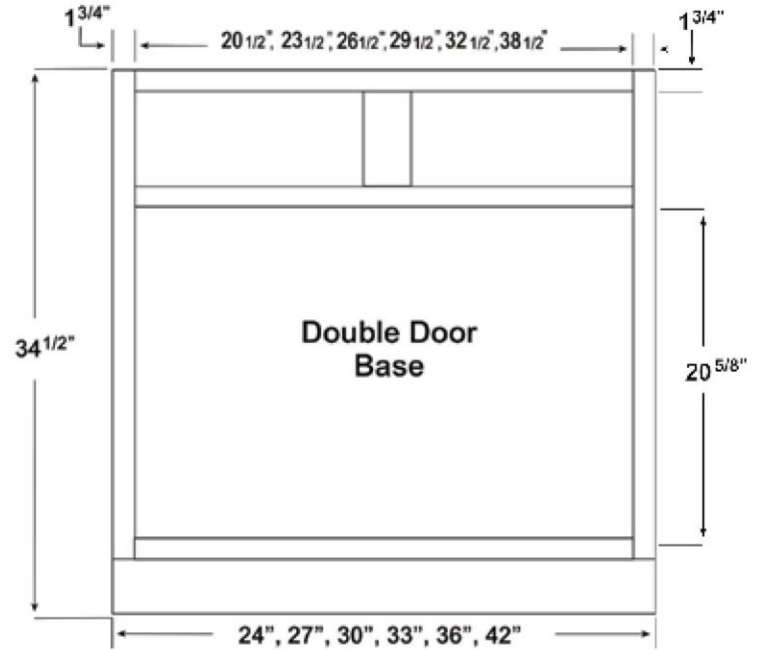
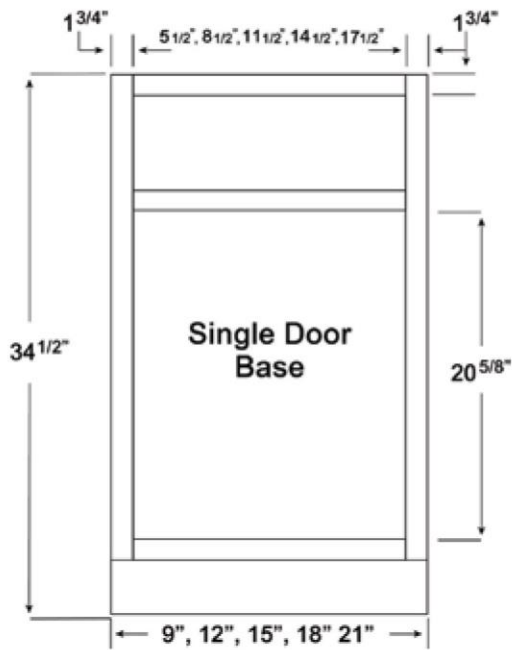
SCOTCH
(CS)

- Framed Cabinet with Full Overlay Doors and Drawers
- Under Mount Full Extension DTC Soft Close Drawers Glides
- Concealed European Style Hinges with Soft Close Feature
- Solid Birch Door Frame with Solid Birch Center Panel
- Solid Birch Drawer Front with Solid Birch Center Panel
- ½" Plywood Box with UV Coated Matching Exterior
- Glue & Staple or Metal Clip Assembly
- UV Coated Natural Interior

CONSTRUCTION SPECIFICATIONS

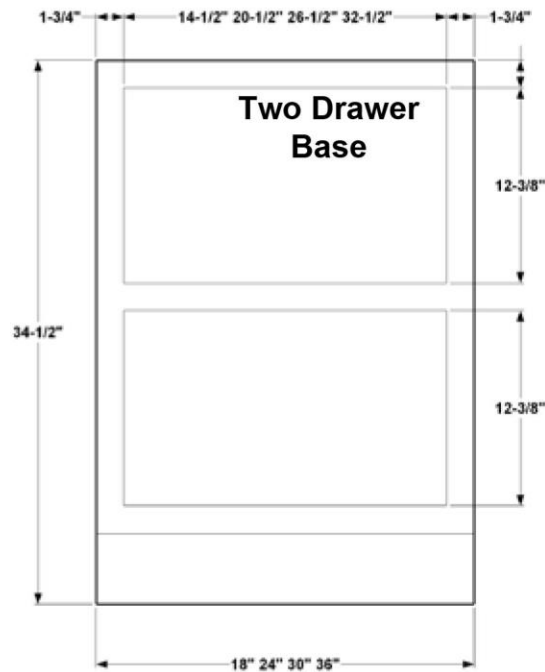
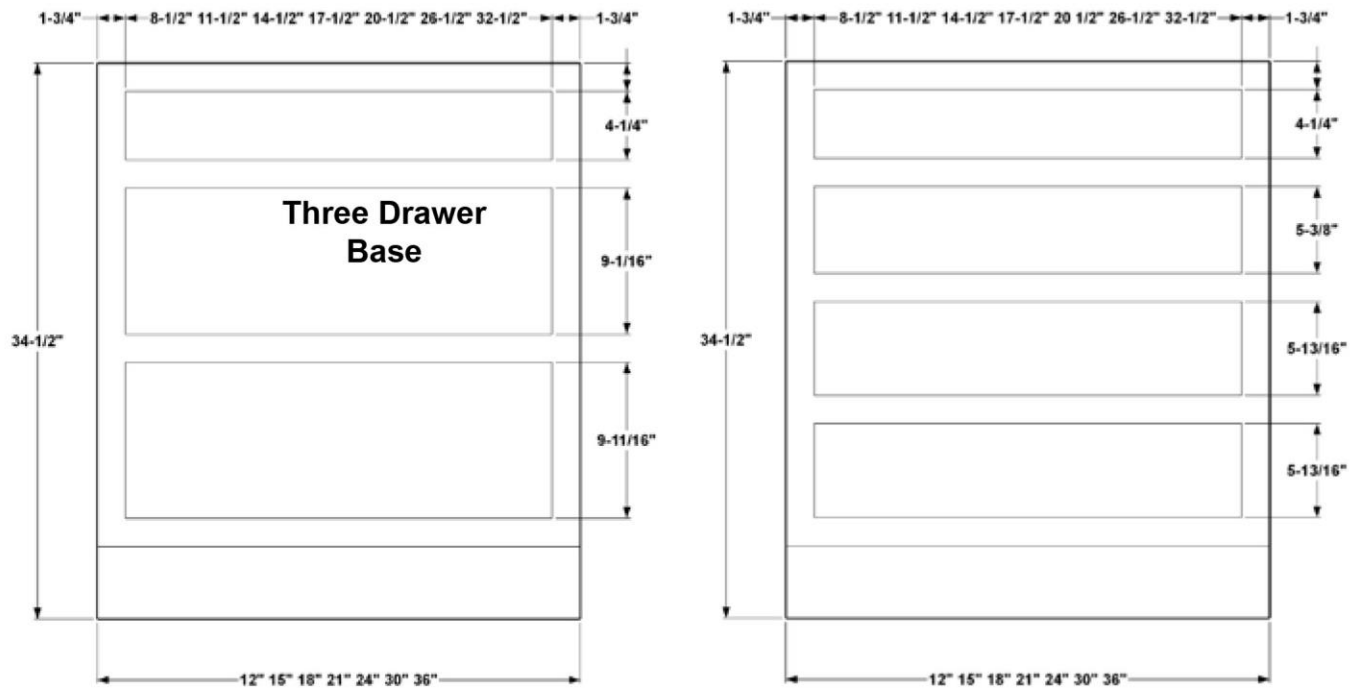
CABINET FRAME & OPENING DIMENSIONS - 1 3/4"

- Height of all base cabinet openings is 20 5/8"
- Cabinet Size - 3 1/2" will give you opening
- Example B30: 30" - 3 1/2" = 26 1/2"

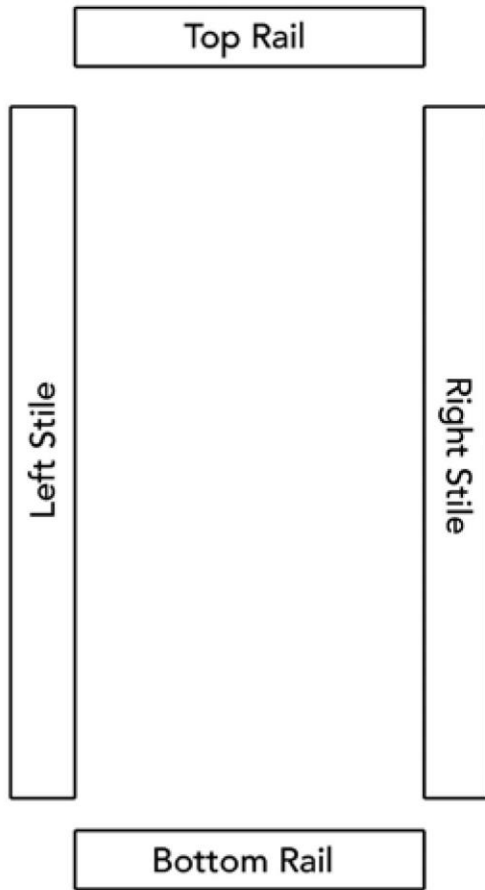


CABINET FRAME & OPENING DIMENSIONS - 1 3/4"

- Height of all base cabinet openings is 20 5/8"
- Cabinet Size - 3 1/2" will give you opening
- Example B30: 30" - 3 1/2" = 26 1/2"



GLASS DOOR CUTOUT SPECIFICATIONS



Height Configuration:

Door Height* - (2 x Door Style Rail Width) + 1½"

Width Configuration:

Door Width* - (2 x Door Style Stile Width) + 1½"

Door Style Rail Width Stile Width

Door Style	Rail Width	Stile Width
Shaker	2¾"	2¾"
Traditional	3"	3"
Cameo	3"	3"

*Door height and width information is located in the Specification Manual.

DISCLAIMER: This formula is to be used as an estimation tool only. We recommend that physical measurements are taken prior to ordering your inserts. We cannot guarantee the exact dimensions determined when using the formula provided.

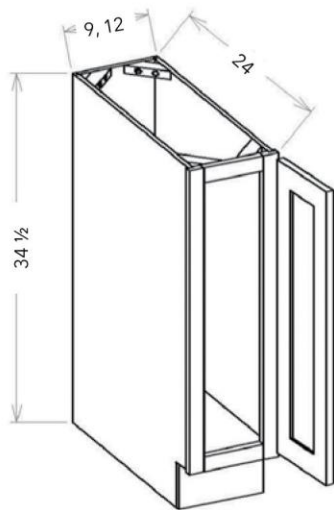
There are few modification options on the selected assembled framed cabinets and these modifications can only be applied to five cabinet types.

Mod Option/Code	Application	Description/Limitations
Reduced Depth (RD)	Base Cabinets	Reduced depth of select base cabinets in 3" increments ranging from 21" to 12". Includes: Full Height Door Bases, Door/Drawer Bases, Drawer Bases, Sink Bases Excludes: Corner Base Cabinets, Base Accessory Cabinet Kits, Specialty Base Cabinets
	Wall Cabinets	Reduced depth of select wall cabinets in 3" increments. <ul style="list-style-type: none"> • 12"D Cabinets - Range from 9" to 6" • 24"D Cabinets - Range from 21" to 15" ** **33"W Refridgerator Cabinets can be decreased from 21" to 12" Includes: 30, 36, & 42"H Wall Cabinets, Bridge Wall Cabinets, Refrigerator Wall Cabinets, 12, 30, 36, 42"H Routed for Glass with Finished Interior Wall Cabinets Excludes: Corner Wall Cabinets, Corner Routed for Glass with Finished Interior Wall Cabinets, Specialty Wall Cabinets
	Tall Cabinets	Reduced depth of select tall cabinets in 3" increments ranging from 21" to 12". Includes: Utility Cabinets Excludes: Oven Cabinets & Utility Accessory Cabinet Kits
	Vanity Cabinets	Reduced depth of select vanity cabinets in 3" increments ranging from 18" to 15". Includes: Vanity Combo Bases, Vanity Sink Bases Excludes: Vanity Drawer Bases

DISCLAIMER: Modifications are only available on assembled cabinets. Modifications exclude orders from the standard lead time. Modifications are not available for discontinued styles or items.

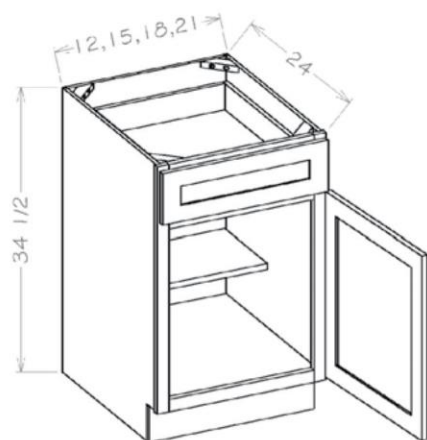
PRODUCT SPECIFICATIONS

Tray Base



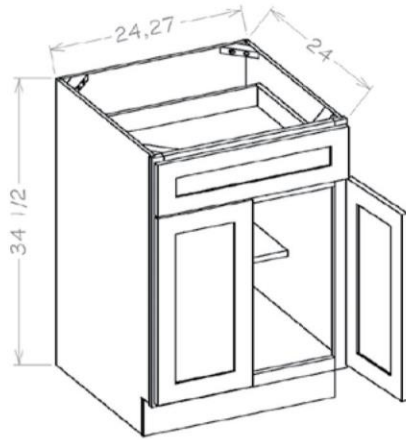
Model	Description	Width	Height	Depth
BT9	Cabinet Dimension	9	34½	24
	Door Dimension	8½	29	¾
BT12	Cabinet Dimension	12	34½	24
	Door Dimension	11½	29	¾

Single Door Single Drawer Bases



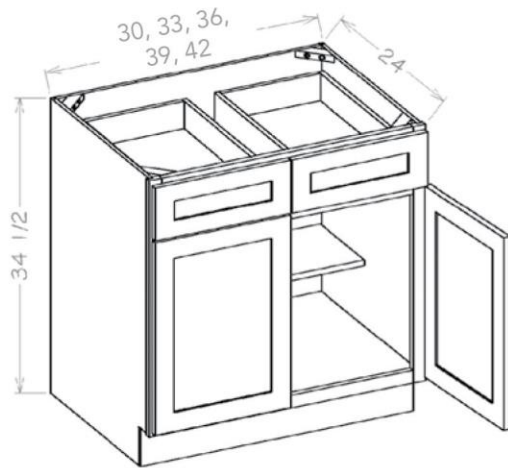
Model	Description	Width	Height	Depth
B12	Cabinet Dimension	12	34½	24
	Door Dimension	11½	22½	¾
	Drawer Front	11½	6¼	¾
	Drawer Box	8	3¼	20⅜
B15	Cabinet Dimension	15	34½	24
	Door Dimension	14½	22½	¾
	Drawer Front	14½	6¼	¾
	Drawer Box	11	3¼	20⅜
B18	Cabinet Dimension	18	34½	24
	Door Dimension	17½	22½	¾
	Drawer Front	17½	6¼	¾
	Drawer Box	14	3¼	20⅜
B21	Cabinet Dimension	21	34½	24
	Door Dimension	20½	22½	¾
	Drawer Front	20½	6¼	¾
	Drawer Box	17	3¼	20⅜

Double Door Single Drawer Bases



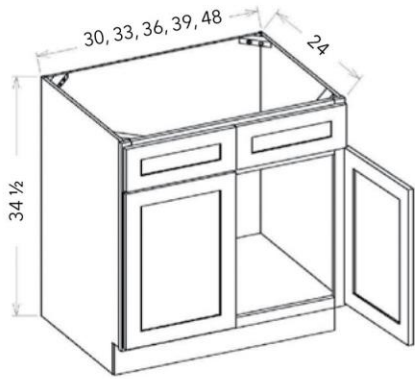
Model	Description	Width	Height	Depth
B24	Cabinet Dimension	24	34½	24
	Door Dimension	11¾	22½	¾
	Drawer Front	23½	6¼	¾
	Drawer Box	20	3¼	20¾
B27	Cabinet Dimension	27	34½	24
	Door Dimension	13¾	22½	¾
	Drawer Front	26½	6¼	¾
	Drawer Box	23	3¼	20¾

Double Door Double Drawer Bases



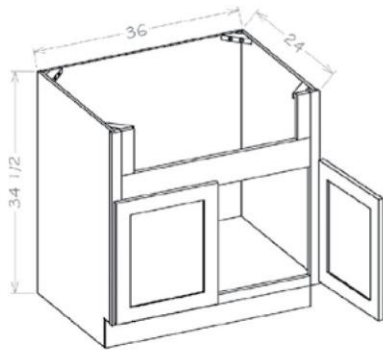
Model	Description	Width	Height	Depth
B30	Cabinet Dimension	30	34½	24
	Door Dimension	14¾	22½	¾
	Drawer Front	14¾	6¼	¾
	Drawer Box	12	3¼	20¾
B33	Cabinet Dimension	33	34½	24
	Door Dimension	16¼	22½	¾
	Drawer Front	16¼	6¼	¾
	Drawer Box	13½	3¼	20¾
B36	Cabinet Dimension	36	34½	24
	Door Dimension	17¾	22½	¾
	Drawer Front	17¾	6¼	¾
	Drawer Box	15	3¼	20¾
B39	Cabinet Dimension	39	34½	24
	Door Dimension	18¾	22½	¾
	Drawer Front	18¾	6¼	¾
	Drawer Box	16	3¼	20¾
B42	Cabinet Dimension	42	34½	24
	Door Dimension	20¾	22½	¾
	Drawer Front	20¾	6¼	¾
	Drawer Box	18	3¼	20¾

Sink Bases



Model	Description	Width	Height	Depth
SB30	Cabinet Dimension	30	34½	24
	Door Dimension	14¾	22½	¾
	Drawer Front	14¾	6¼	¾
SB33	Cabinet Dimension	33	34½	24
	Door Dimension	16¼	22½	¾
	Drawer Front	16¼	6¼	¾
SB36	Cabinet Dimension	36	34½	24
	Door Dimension	17¾	22½	¾
	Drawer Front	17¾	6¼	¾
SB39	Cabinet Dimension	39	34½	24
	Door Dimension	18¾	22½	¾
	Drawer Front	18¾	6¼	¾
SB48	Cabinet Dimension	48	34½	24
	Door Dimension	23¾	22½	¾
	Drawer Front	23¾	6¼	¾

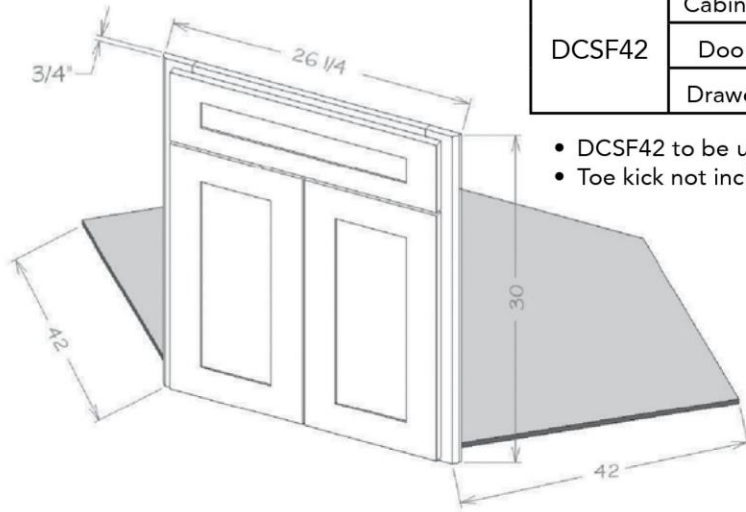
Sink Bases - Farm Sink



Model	Description	Width	Height	Depth
FSB36	Cabinet Dimension	36	34½	24
	Door Dimension	17¾	19	¾

- Fits up to a 33"Wx10" farm sink

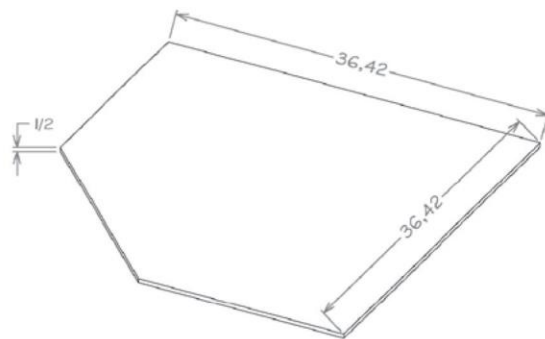
Sink Bases



Model	Description	Width	Height	Depth
DCSF42	Cabinet Dimension	26 1/4	30	3/4
	Door Dimension	11 3/4	22 1/2	3/4
	Drawer Dimension	24 3/4	6 1/4	3/4

- DCSF42 to be used in conjunction with SBF4242
- Toe kick not included

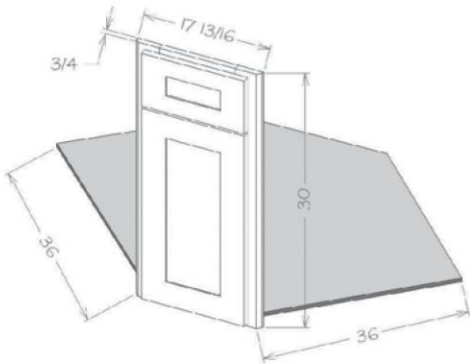
Sink Bases - Diagonal Sink Floor



Model	Description	Width	Height	Depth
SBF3636	Cabinet Dimension	36	1/2	36
SBF4242	Door Dimension	42	1/2	42

- Sink floor only, use with corresponding DCSF

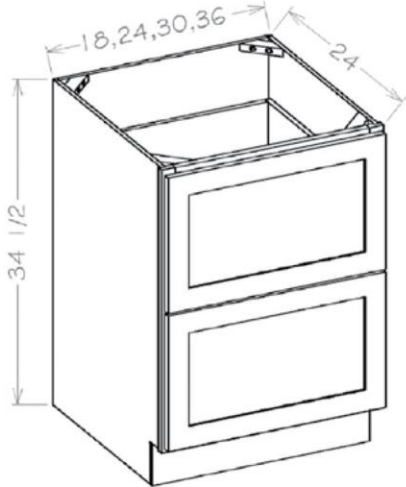
Sink Bases - Diagonal Sink Front



Model	Description	Width	Height	Depth
DCSF36	Cabinet Dimension	17 ¹³ / ₁₆	30	3 ³ / ₄
	Door Dimension	15 ¹ / ₄	22 ¹ / ₂	3 ³ / ₄
	Drawer Dimension	15 ¹ / ₄	6 ¹ / ₄	3 ³ / ₄

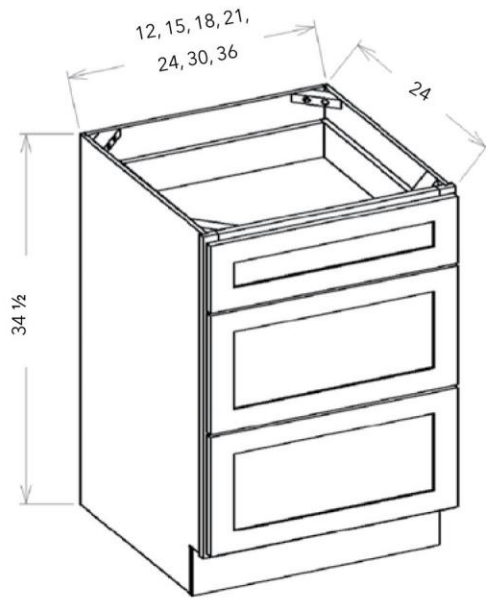
- DCSF36 to be used in conjunction with SBF3636
- Toe kick not included

Two Drawer Bases



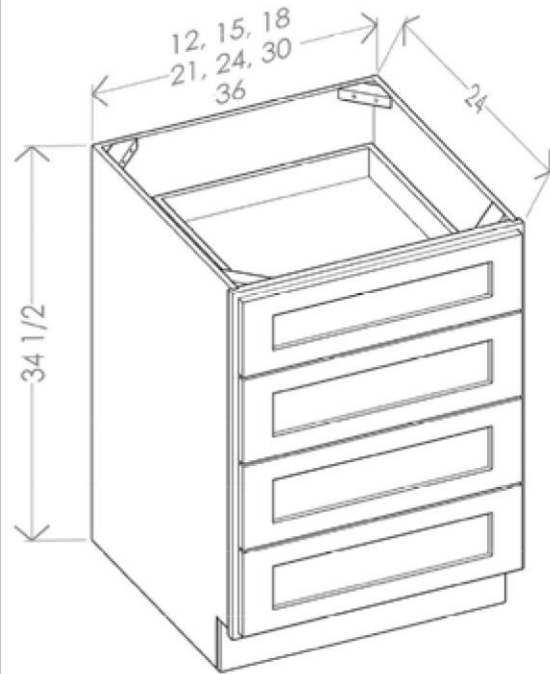
Model	Description	Width	Height	Depth
2DB18	Cabinet Dimension	18	34 ¹ / ₂	24
	Drawer Front	17 ¹ / ₂	14 ¹ / ₂	3 ³ / ₄
2DB24	Cabinet Dimension	24	34 ¹ / ₂	24
	Drawer Front	23 ¹ / ₂	14 ¹ / ₂	3 ³ / ₄
2DB30	Cabinet Dimension	30	34 ¹ / ₂	24
	Drawer Front	29 ¹ / ₂	14 ¹ / ₂	3 ³ / ₄
2DB36	Cabinet Dimension	36	34 ¹ / ₂	24
	Drawer Front	35 ¹ / ₂	14 ¹ / ₂	3 ³ / ₄

Three Drawer Bases



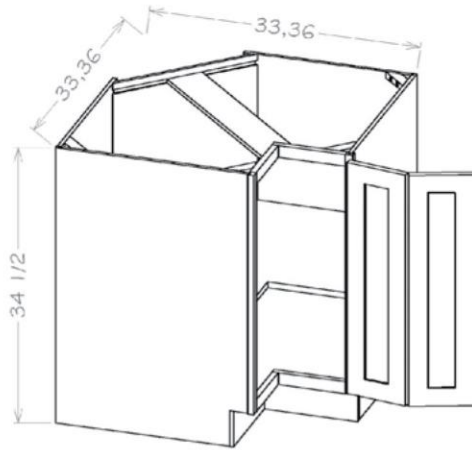
Model	Description	Width	Height	Depth
3DB12	Cabinet Dimension	12	34½	24
	Top Drawer Front	11½	6¼	¾
	Bottom Drawer Front	11½	11⅛	¾
	Top Drawer Box	8	3⅜	20⅜
	Bottom Drawer Box	8	8¼	20⅜
3DB15	Cabinet Dimension	15	34½	24
	Top Drawer Front	14½	6¼	¾
	Bottom Drawer Front	14½	11⅛	¾
	Top Drawer Box	11	3⅜	20⅜
	Bottom Drawer Box	11	8¼	20⅜
3DB18	Cabinet Dimension	18	34½	24
	Top Drawer Front	17½	6¼	¾
	Bottom Drawer Front	17½	11⅛	¾
	Top Drawer Box	14	3⅜	20⅜
	Bottom Drawer Box	14	8¼	20⅜
3DB21	Cabinet Dimension	21	34½	24
	Top Drawer Front	20½	6¼	¾
	Bottom Drawer Front	20½	11⅛	¾
	Top Drawer Box	17½	3⅜	20⅜
	Bottom Drawer Box	17½	8¼	20⅜
3DB24	Cabinet Dimension	24	34½	24
	Top Drawer Front	23½	6¼	¾
	Bottom Drawer Front	23½	11⅛	¾
	Top Drawer Box	20	3⅜	20⅜
	Bottom Drawer Box	20	8¼	20⅜
3DB30	Cabinet Dimension	30	34½	24
	Top Drawer Front	29½	6¼	¾
	Bottom Drawer Front	29½	11⅛	¾
	Top Drawer Box	26	3⅜	20⅜
	Bottom Drawer Box	26	8¼	20⅜
3DB36	Cabinet Dimension	36	34½	24
	Top Drawer Front	35½	6¼	¾
	Bottom Drawer Front	35½	11⅛	¾
	Top Drawer Box	32	3⅜	20⅜
	Bottom Drawer Box	32	8¼	20⅜

Four Drawer Cabinets



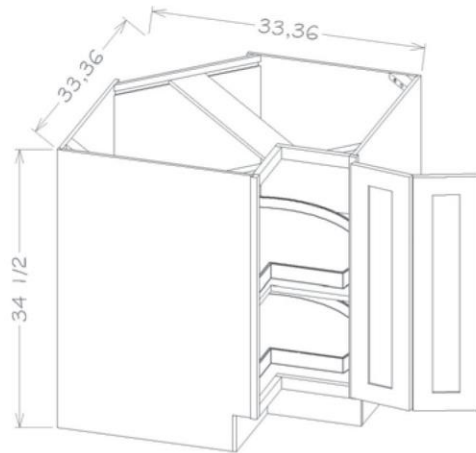
Model	Description	Width	Height	Depth
4DB12	Cabinet Dimension	12	34½	24
	Top Drawer Front	11½	6¼	¾
	Bottom Drawer Front	11½	7¾	¾
	Top Drawer Box	8	3¾	20¾
	Bottom Drawer Box	8	4½	20¾
4DB15	Cabinet Dimension	15	34½	24
	Top Drawer Front	14½	6¼	¾
	Bottom Drawer Front	14½	7¾	¾
	Top Drawer Box	11	3¾	20¾
	Bottom Drawer Box	11	4½	20¾
4DB18	Cabinet Dimension	18	34½	24
	Top Drawer Front	17½	6¼	¾
	Bottom Drawer Front	17½	7¾	¾
	Top Drawer Box	14	3¾	20¾
	Bottom Drawer Box	14	4½	20¾
4DB21	Cabinet Dimension	21	34½	24
	Top Drawer Front	20½	6¼	¾
	Bottom Drawer Front	20½	7¾	¾
	Top Drawer Box	17½	3¾	20¾
	Bottom Drawer Box	17½	4½	20¾
4DB24	Cabinet Dimension	24	34½	24
	Top Drawer Front	23½	34½	¾
	Bottom Drawer Front	23½	6¼	¾
	Top Drawer Box	20	7¾	20¾
	Bottom Drawer Box	20	3¾	20¾
4DB30	Cabinet Dimension	30	34½	24
	Top Drawer Front	29½	6¼	¾
	Bottom Drawer Front	29½	7¾	¾
	Top Drawer Box	26	3¾	20¾
	Bottom Drawer Box	26	4½	20¾
4DB36	Cabinet Dimension	36	34½	24
	Top Drawer Front	25½	6¼	¾
	Bottom Drawer Front	25½	7¾	¾
	Top Drawer Box	32	3¾	20¾
	Bottom Drawer Box	32	4½	20¾

Base Easy Reach



Model	Description	Width	Height	Depth
BER33	Cabinet Dimension	33	34½	24
	Door Dimension	7 ⁵ / ₈	29	¾
BER36	Cabinet Dimension	36	34½	24
	Door Dimension	10 ⁵ / ₈	29	¾

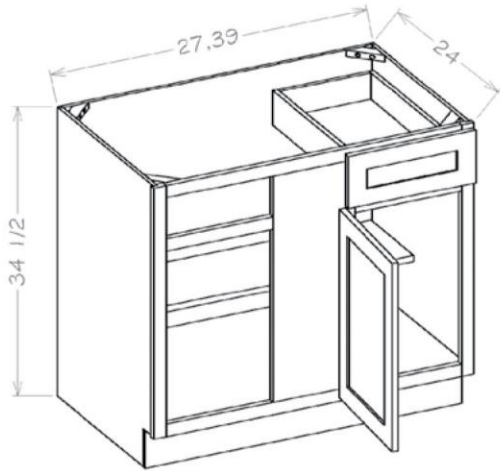
Base Easy Reach with Wooden Lazy Susan Trays



Model	Description	Width	Height	Depth
LSB33	Cabinet Dimension	33	34½	24
	Door Dimension	7 ⁵ / ₈	29	¾
LSB36	Cabinet Dimension	36	34½	24
	Door Dimension	10 ⁵ / ₈	29	¾

- LSB33 Inside Opening is 11.5" W and Wooden Lazy Susan Tray is 27.5" W (Comes in a separate box)
- LSB36 Inside Opening is 15.5" W and Wooden Lazy Susan Tray is 27.5" W (Comes in a separate box)
- Two boxes will be received when ordering this cabinet kit flat pack.

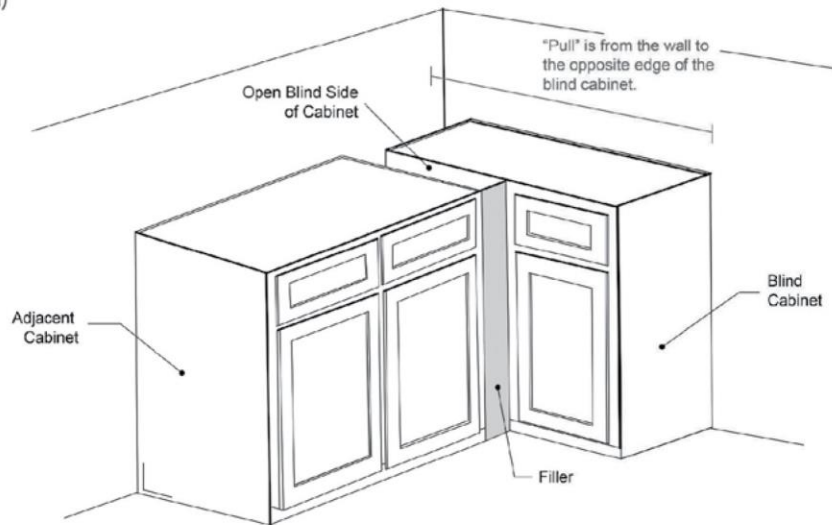
Blind Bases



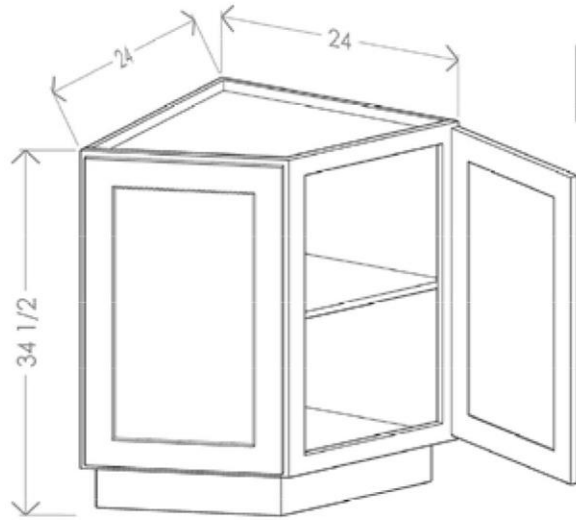
Model	Description	Width	Height	Depth
BBC36	Door Opening	6¾	20½	22¾
	Cabinet Dimension	27	34½	24
	Door Dimension	9¾	22½	¾
	Drawer Front	9¾	6¼	¾
	Drawer Box	6½	3¾	20¾
BBC42	Door Opening	12¾	20½	22¾
	Cabinet Dimension	39	34½	24
	Door Dimension	15¾	22½	¾
	Drawer Front	15¾	6¼	¾
	Drawer Box	12¾	3¾	20¾

Model	Box Size	Min	Max	Stile
BBC36	27	36½	43	10
BBC42	39	42½	49	10

- Must Use Filler (not supplied)



Angle Base Cabinets



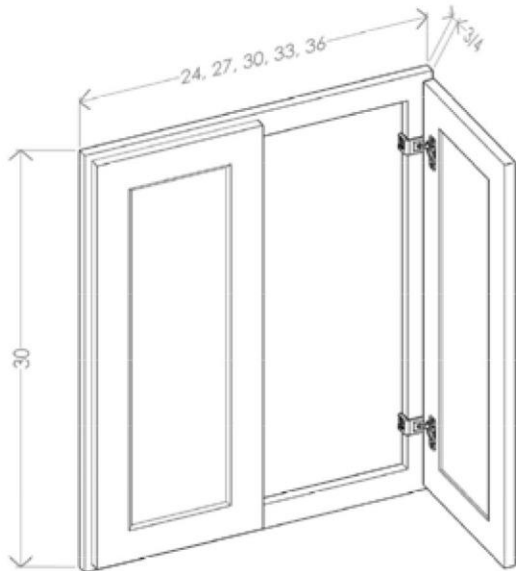
Model	Description	Width	Height	Depth
BEC24	Cabinet Dimension	24	34½	24
	Door Dimension	17½	29	¾

Wall Frame and Door Cabinets



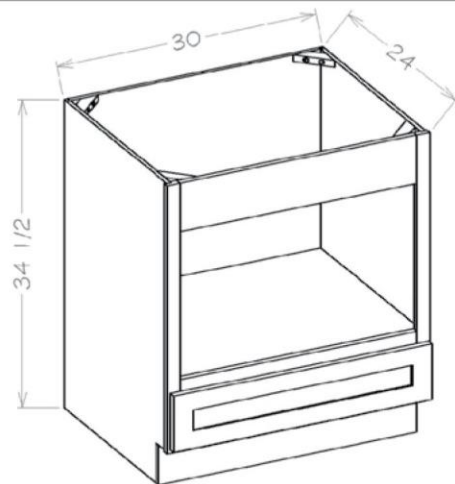
Model	Description	Width	Height	Depth
FDW1230	Cabinet Dimension	12	30	3/4
	Door Dimension	11½	29	3/4
FDW1530	Cabinet Dimension	15	30	3/4
	Door Dimension	14½	29	3/4
FDW1830	Cabinet Dimension	18	30	3/4
	Door Dimension	17½	29	3/4
FDW2130	Cabinet Dimension	21	30	3/4
	Door Dimension	20½	29	3/4

Wall Frame and Door Cabinets



Model	Description	Width	Height	Depth
FDW2430	Cabinet Dimension	24	30	3/4
	Door Dimension	23½	29	3/4
FDW2730	Cabinet Dimension	27	30	3/4
	Door Dimension	26½	29	3/4
FDW3030	Cabinet Dimension	30	30	3/4
	Door Dimension	29½	29	3/4
FDW3330	Cabinet Dimension	33	30	3/4
	Door Dimension	32½	29	3/4
FDW3630	Cabinet Dimension	36	30	3/4
	Door Dimension	35½	29	3/4

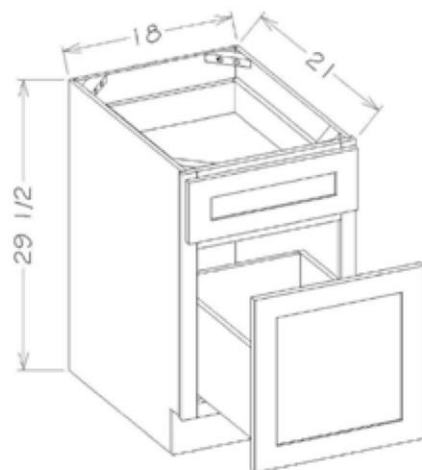
Specialty Bases - Base Microwave Cabinet



Model	Description	Width	Height	Depth
BMW30	Cabinet Dimension	30	34½	24
	Microwave Opening	26½	16½	23
	Drawer Front	29½	6¼	¾
	Drawer Box	26	3¾	21

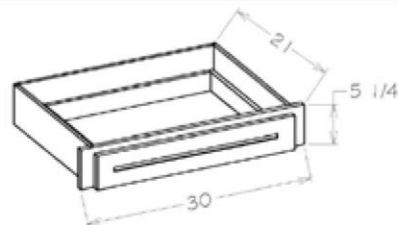
- Microwave Opening trimmable to 20⅞" High

Specialty Bases - Drawer File Base



Model	Description	Width	Height	Depth
DFB18	Cabinet Dimension	18	29½	21
	Top Drawer Front	17½	6¼	¾
	Bottom Drawer Front	17½	17½	¾
	Top Drawer Box	14	3¾	17¾
	Bottom Drawer Box	14	9¼	17¾

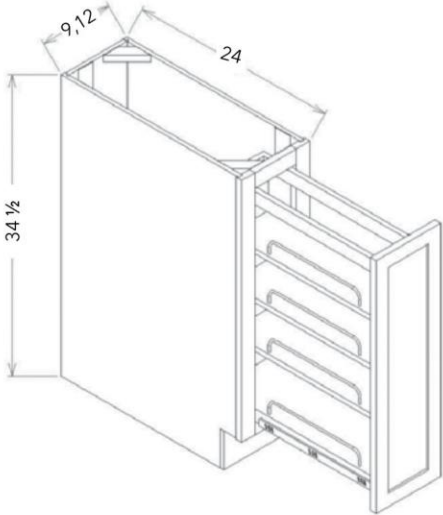
Specialty Bases - Desk Knee Drawer



Model	Description	Width	Height	Depth
DKD30	Cabinet Dimension	30	5¼	21
	Drawer Front	26	4¾	¾
	Drawer Box	23	3¼	17¾

- Trimmable to 27" wide

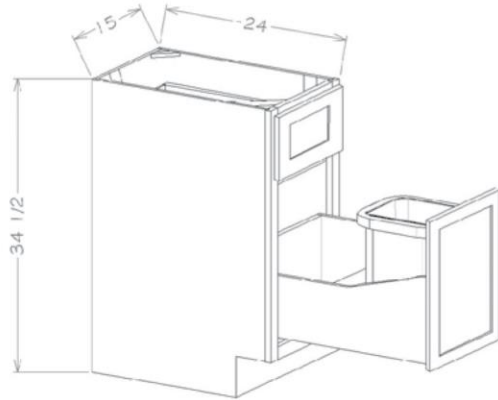
Base Cabinet Accessory - Full Height Door Shelf Pullout



Model	Description	Width	Height	Depth
BT9PO	Pullout Dimension	6	25½	22¾
BT12PO	Pullout Dimension	9	25½	22¾

- Pullout is mounted to the cabinet floor and door
- Full-extension slides with BLUMOTION soft-close (110 lb weight capacity)
- Purchased Separately

Base Cabinet Accessory - Single Door Single Drawer Base Single Trashcan Pullout



Model	Description	Width	Height	Depth
B15TCPO	Pullout Dimension	12	19½	21 ^{21/82}
	Trashcan Dimension	14 ^{3/6}	17 ^{7/8}	10½

- Pullout is mounted to the cabinet floor and door
- Full-extension slides with BLUMOTION soft-close (110 lb weight capacity)
- Purchased Separately

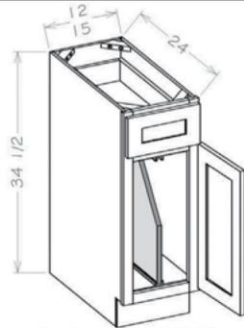
Base Cabinet Accessory - Single Door Single Drawer Base Double Trashcan Pullout



Model	Description	Width	Height	Depth
B18TCPO	Pullout Dimension	15	19½	21 ^{21/82}
	Trashcan Dimension	14 ^{3/6}	17 ^{7/8}	10½
B21TCPO	Pullout Dimension	18	19½	21 ^{21/82}
	Trashcan Dimension	17 ^{3/6}	17 ^{7/8}	10½

- Pullout is mounted to the cabinet floor and door
- Full-extension slides with BLUMOTION soft-close (110 lb weight capacity)
- Purchased Separately

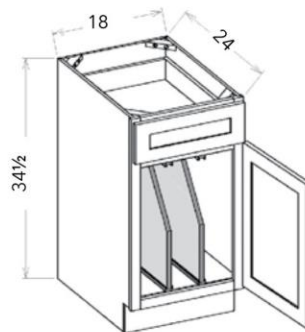
Accessories - Base Tray Divider



Model	Description	Width	Height	Depth
B12TDKIT	Dimension	¾	21	22½
B15TDKIT	Dimension	¾	21	22½

- Comes with one divider
- Purchased Separately

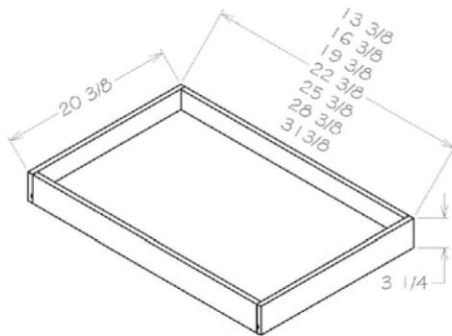
Accessories - Base Tray Divider



Model	Description	Width	Height	Depth
B18TDKIT	Dimension	¾	21	22½

- Comes with one divider
- Purchased Separately

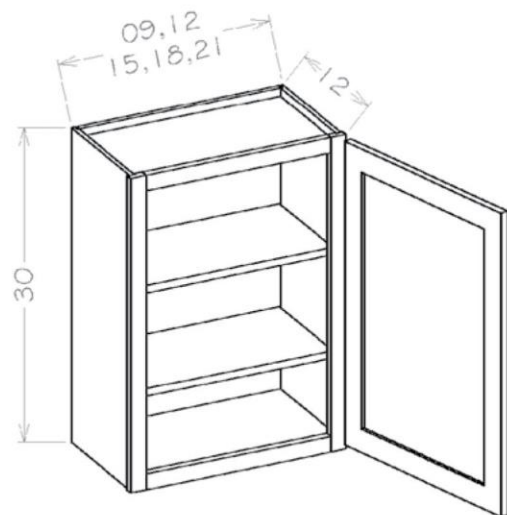
Roll Out Shelves



Model	Description	Width	Height	Depth
RS18-Type A	Dimension	13¾	3¾	20⅙
RS21-Type A	Dimension	16¾	3¾	20⅙
RS24-Type A	Dimension	19½	3¾	20⅙
RS27-Type A	Dimension	22½	3¾	20⅙
RS30-Type A	Dimension	25¾	3¾	20⅙
RS33-Type A	Dimension	28¾	3¾	20⅙
RS36-Type A	Dimension	31¾	3¾	20⅙

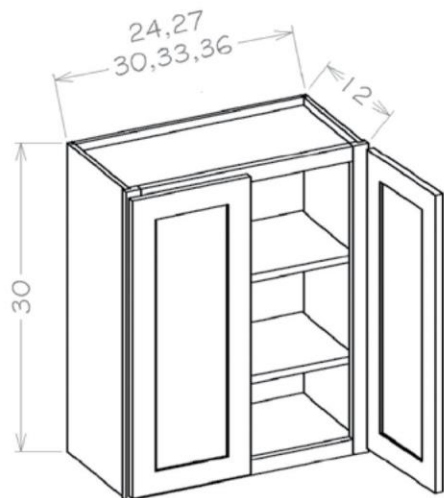
- Glides are side mount ball bearing with no soft close
- Purchased Separately

30" High Wall Cabinets - Single Door *2 Adjustable Shelves



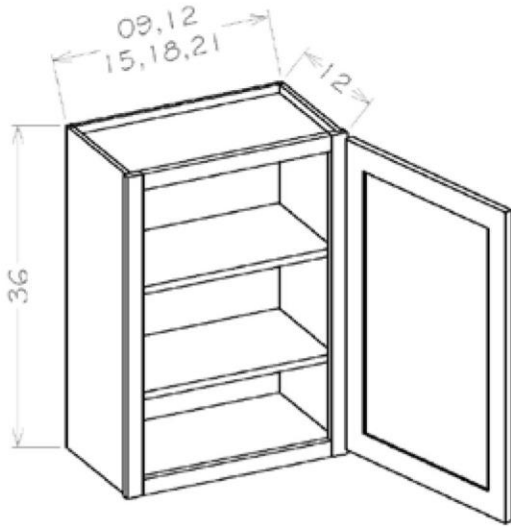
Model	Description	Width	Height	Depth
W0930	Cabinet Dimension	9	30	12
	Door Dimension	8½	29	¾
W1230	Cabinet Dimension	12	30	12
	Door Dimension	14½	29	¾
W1530	Cabinet Dimension	15	30	12
	Door Dimension	14½	29	¾
W1830	Cabinet Dimension	18	30	12
	Door Dimension	17½	29	¾
W2130	Cabinet Dimension	21	30	12
	Door Dimension	20½	29	¾

30" High Wall Cabinets - Double Door *2 Adjustable Shelves



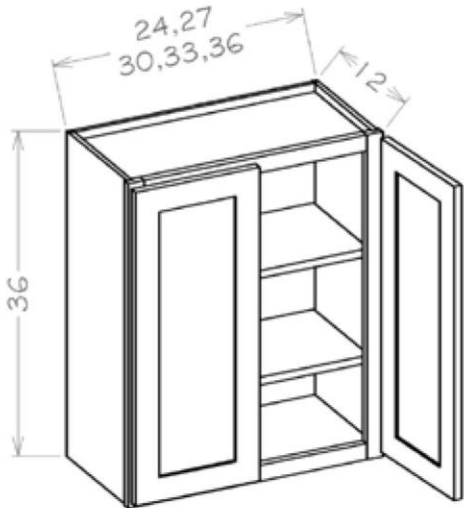
Model	Description	Width	Height	Depth
W2430	Cabinet Dimension	24	30	12
	Door Dimension	11¾	29	¾
W2730	Cabinet Dimension	27	30	12
	Door Dimension	13¾	29	¾
W3030	Cabinet Dimension	30	30	12
	Door Dimension	14¾	29	¾
W3330	Cabinet Dimension	33	30	12
	Door Dimension	16¾	29	¾
W3630	Cabinet Dimension	36	30	12
	Door Dimension	17¾	29	¾

36" High Wall Cabinets - Single Door *2 Adjustable Shelves



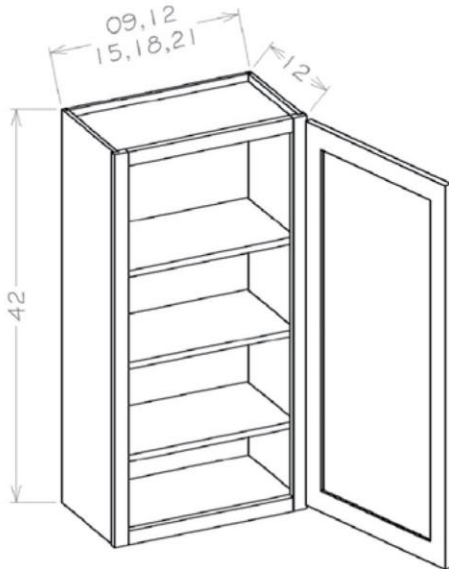
Model	Description	Width	Height	Depth
W0936	Cabinet Dimension	9	36	12
	Door Dimension	8½	35	¾
W1236	Cabinet Dimension	12	36	12
	Door Dimension	11½	35	¾
W1536	Cabinet Dimension	15	36	12
	Door Dimension	14½	35	¾
W1836	Cabinet Dimension	18	36	12
	Door Dimension	17½	35	¾
W2136	Cabinet Dimension	21	36	12
	Door Dimension	20½	35	¾

36" High Wall Cabinets - Double Door *2 Adjustable Shelves



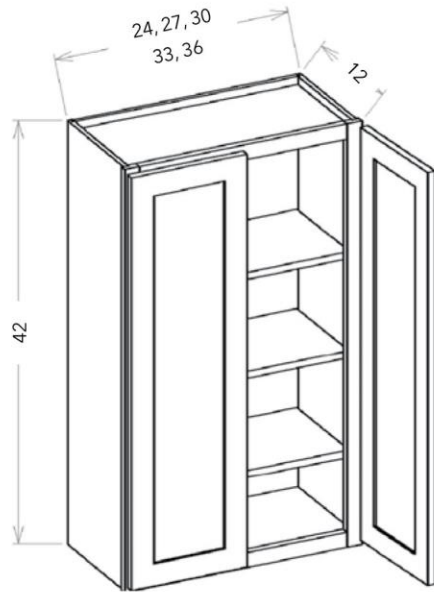
Model	Description	Width	Height	Depth
W2436	Cabinet Dimension	24	36	12
	Door Dimension	11¾	35	¾
W2736	Cabinet Dimension	27	36	12
	Door Dimension	13¾	35	¾
W3036	Cabinet Dimension	30	36	12
	Door Dimension	14¾	35	¾
W3336	Cabinet Dimension	33	36	12
	Door Dimension	16¾	35	¾
W3636	Cabinet Dimension	36	36	12
	Door Dimension	17¾	35	¾

42" High Wall Cabinets - Single Door *3 Adjustable Shelves



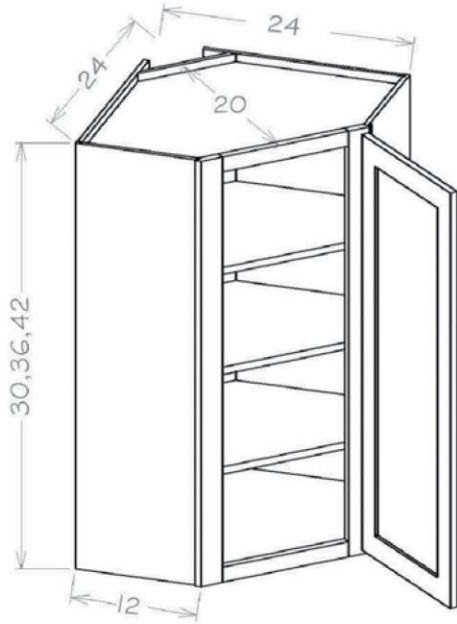
Model	Description	Width	Height	Depth
W0942	Cabinet Dimension	9	42	12
	Door Dimension	8½	41	¾
W1242	Cabinet Dimension	12	42	12
	Door Dimension	11½	41	¾
W1542	Cabinet Dimension	15	42	12
	Door Dimension	14½	41	¾
W1842	Cabinet Dimension	18	42	12
	Door Dimension	17½	41	¾
W2142	Cabinet Dimension	21	42	12
	Door Dimension	20½	41	¾

42" High Wall Cabinets - Double Door *3 Adjustable Shelves



Model	Description	Width	Height	Depth
W2442	Cabinet Dimension	24	42	12
	Door Dimension	11¼	41	¾
W2742	Cabinet Dimension	27	42	12
	Door Dimension	13¼	41	¾
W3042	Cabinet Dimension	30	42	12
	Door Dimension	14¾	41	¾
W3342	Cabinet Dimension	33	42	12
	Door Dimension	16¼	41	¾
W3642	Cabinet Dimension	36	42	12
	Door Dimension	17¾	41	¾

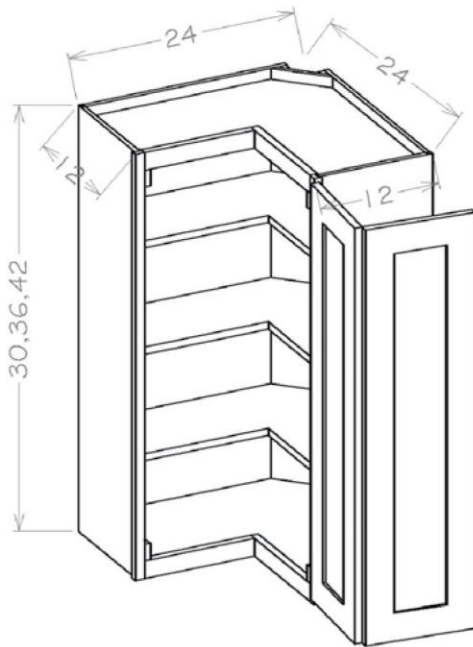
Diagonal Corner Wall Cabinets



Model	Description	Width	Height	Depth
DCW2430	Cabinet Dimension	24	30	12
	Door Dimension	15 $\frac{1}{4}$	29	$\frac{3}{4}$
DCW2436	Cabinet Dimension	24	36	12
	Door Dimension	15 $\frac{1}{4}$	35	$\frac{3}{4}$
DCW2442	Cabinet Dimension	24	42	12
	Door Dimension	15 $\frac{1}{4}$	41	$\frac{3}{4}$

- DCW Inside Openings are 12 $\frac{1}{8}$ " Wide
- 30 and 36" H cabinets only have two shelves.

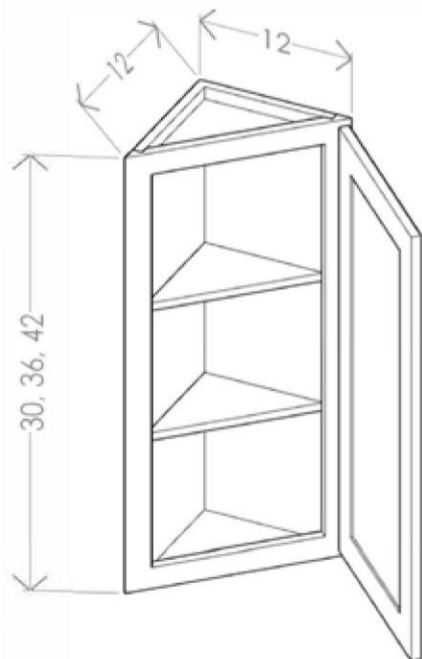
Wall Easy Reach



Model	Description	Width	Height	Depth
WER2430	Cabinet Dimension	24	30	12
	Door Dimension	10 $\frac{5}{8}$	29	$\frac{3}{4}$
WER2436	Cabinet Dimension	24	36	12
	Door Dimension	10 $\frac{5}{8}$	35	$\frac{3}{4}$
WER2442	Cabinet Dimension	24	42	12
	Door Dimension	10 $\frac{5}{8}$	41	$\frac{3}{4}$

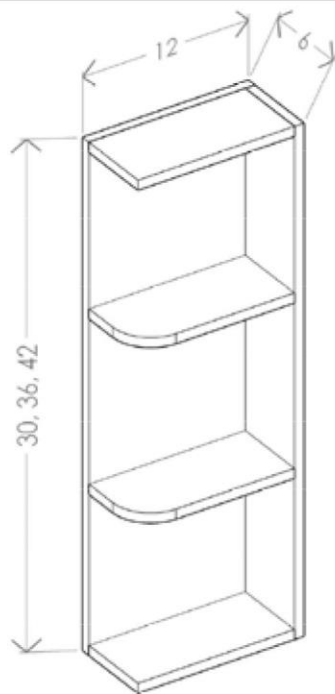
- 30 and 36" H cabinets only have two shelves.

Angle Wall Cabinet



Model	Description	Width	Height	Depth
AW1230	Cabinet Dimension	12	30	12
	Door Dimension	16 ³ / ₃₂	29	³ / ₄
AW1236	Cabinet Dimension	12	36	12
	Door Dimension	16 ³ / ₃₂	35	³ / ₄
AW1242	Cabinet Dimension	12	42	12
	Door Dimension	16 ³ / ₃₂	41	³ / ₄

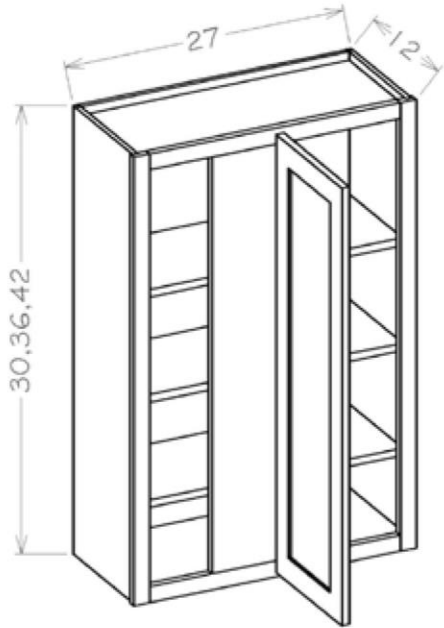
Wall End Shelf



Model	Description	Width	Height	Depth
OE630	Cabinet Dimension	6	30	12
OE636	Cabinet Dimension	6	36	12
OE642	Cabinet Dimension	6	42	12

• OE636 and OE642 have three shelves

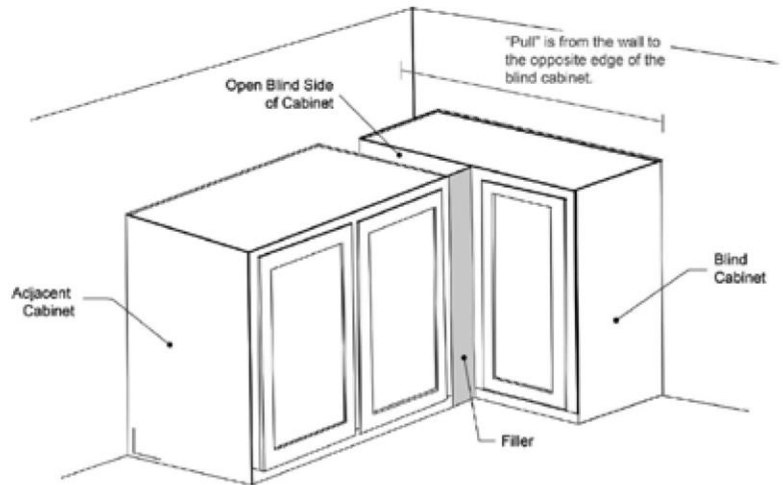
Wall Blind Cabinets



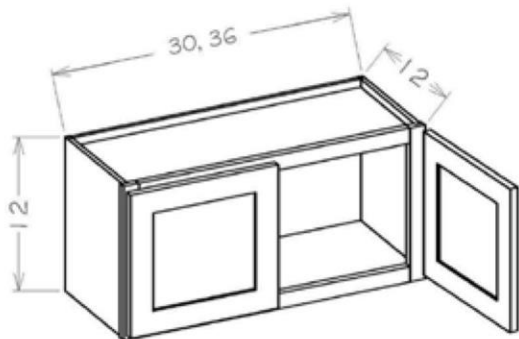
Model	Description	Width	Height	Depth
WBC2730	Cabinet Dimension	27	30	12
	Door Dimension	12½	29	¾
	Door Opening	7¾	26½	12
WBC2736	Cabinet Dimension	27	36	12
	Door Dimension	12½	35	¾
	Door Opening	7¾	32½	12
WBC2742	Cabinet Dimension	27	42	12
	Door Dimension	12½	41	¾
	Door Opening	7¾	38½	12

Box Size	Min	Max	Stile
27	28	31	8

- Must Use Filler (not supplied)

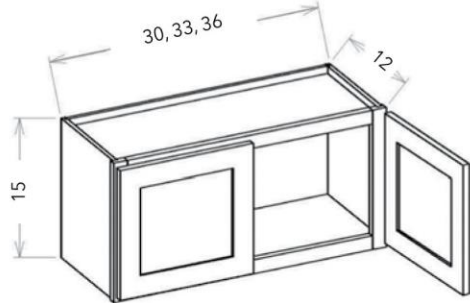


Bridge Cabinets - 12" High



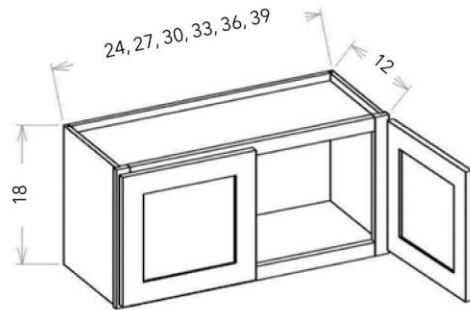
Model	Description	Width	Height	Depth
W3012	Cabinet Dimension	30	12	12
	Door Dimension	14¾	11	¾
W3612	Cabinet Dimension	36	12	12
	Door Dimension	17¾	11	¾

Bridge Cabinets- 15" High



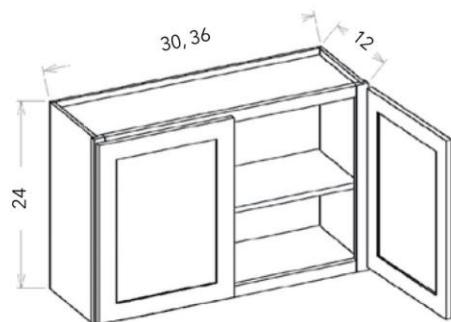
Model	Description	Width	Height	Depth
W3015	Cabinet Dimension	30	15	12
	Door Dimension	14¾	14	¾
W3315	Cabinet Dimension	33	15	12
	Door Dimension	16¾	14	¾
W3615	Cabinet Dimension	36	15	12
	Door Dimension	17¾	14	¾

Bridge Cabinets- 18" High



Model	Description	Width	Height	Depth
W2418	Cabinet Dimension	24	18	12
	Door Dimension	11¾	17	¾
W2718	Cabinet Dimension	27	18	12
	Door Dimension	13¾	17	¾
W3018	Cabinet Dimension	30	18	12
	Door Dimension	14¾	17	¾
W3318	Cabinet Dimension	33	18	12
	Door Dimension	16¾	17	¾
W3618	Cabinet Dimension	36	18	12
	Door Dimension	17¾	17	¾
W3918	Cabinet Dimension	39	18	12
	Door Dimension	18¾	17	¾

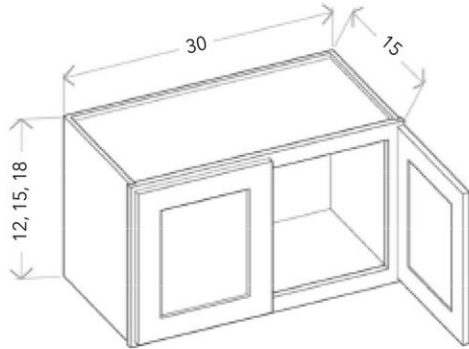
Bridge Cabinets- 24" High



Model	Description	Width	Height	Depth
W3024	Cabinet Dimension	30	24	12
	Door Dimension	14¾	23	¾
W3624	Cabinet Dimension	36	24	12
	Door Dimension	17¾	23	¾

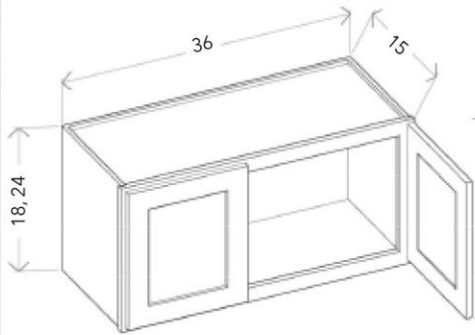
- All 24" High Cabinets Include One inner shelf

Bridge Cabinets- 15" Depth (30" Width)



Model	Description	Width	Height	Depth
W301215	Cabinet Dimension	30	12	15
	Door Dimension	14¾	11	¾
W331515	Cabinet Dimension	30	15	15
	Door Dimension	14¾	14	¾
W301815	Cabinet Dimension	30	18	15
	Door Dimension	14¾	17	¾

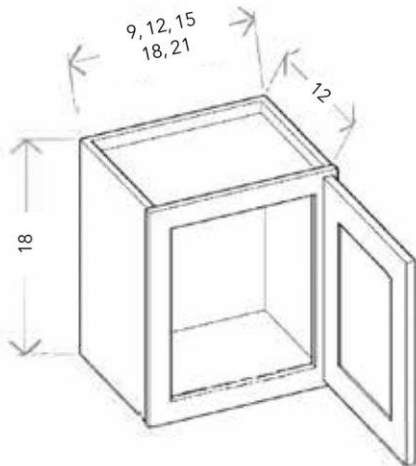
Bridge Cabinets- 15" Depth (36" Width)



Model	Description	Width	Height	Depth
W361815	Cabinet Dimension	36	18	15
	Door Dimension	17¾	17	¾
W362415	Cabinet Dimension	36	24	15
	Door Dimension	17¾	23	¾

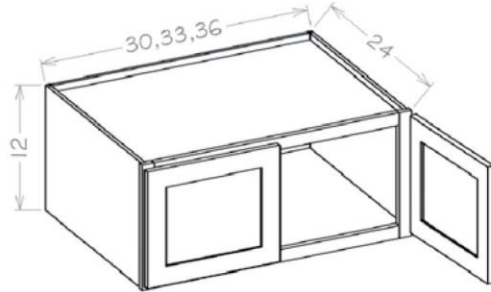
- All 24" High Cabinet Include One Inner Shelf

Stacker Cabinets- 18" High



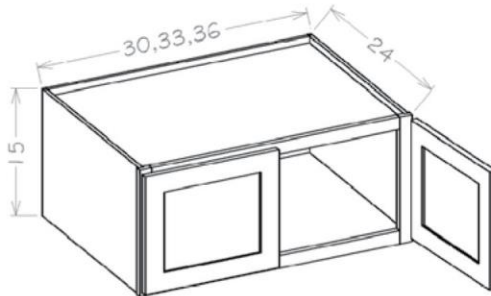
Model	Description	Width	Height	Depth
W0918	Cabinet Dimension	9	18	12
	Door Dimension	8½	17	¾
W1218	Cabinet Dimension	12	18	12
	Door Dimension	11½	17	¾
W1518	Cabinet Dimension	15	18	12
	Door Dimension	14½	17	¾
W1818	Cabinet Dimension	18	18	12
	Door Dimension	17½	17	¾

Wall Refrigerator Cabinets - 12" H (24" deep)



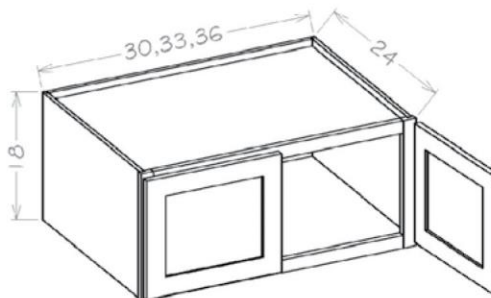
Model	Description	Width	Height	Depth
W301224	Cabinet Dimension	30	12	24
	Door Dimension	14 ³ / ₄	11	³ / ₄
W331224	Cabinet Dimension	33	12	24
	Door Dimension	16 ¹ / ₂	11	³ / ₄
W361224	Cabinet Dimension	36	12	24
	Door Dimension	17 ³ / ₄	11	³ / ₄

Wall Refrigerator Cabinets - 15" H (24" deep)



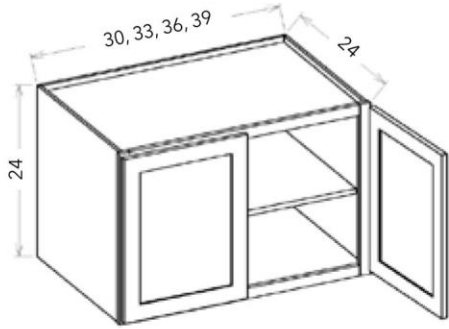
Model	Description	Width	Height	Depth
W301524	Cabinet Dimension	30	15	24
	Door Dimension	14 ³ / ₄	14	³ / ₄
W331524	Cabinet Dimension	33	15	24
	Door Dimension	16 ¹ / ₂	14	³ / ₄
W361524	Cabinet Dimension	36	15	24
	Door Dimension	17 ³ / ₄	14	³ / ₄

Wall Refrigerator Cabinets - 18" H (24" deep)



Model	Description	Width	Height	Depth
W301824	Cabinet Dimension	30	18	24
	Door Dimension	14 ³ / ₄	17	³ / ₄
W331824	Cabinet Dimension	33	18	24
	Door Dimension	16 ¹ / ₂	17	³ / ₄
W361824	Cabinet Dimension	36	18	24
	Door Dimension	17 ³ / ₄	17	³ / ₄

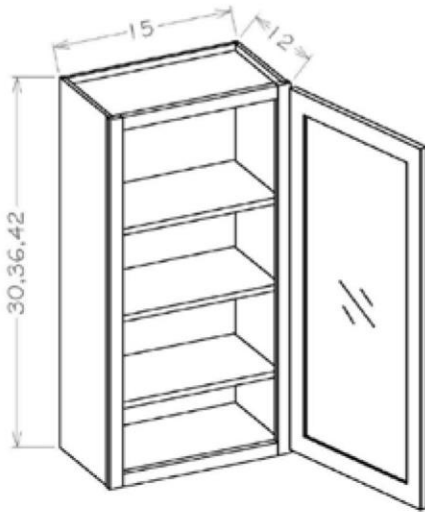
Wall Refrigerator Cabinets- 24" H (24" deep)



Model	Description	Width	Height	Depth
W302424	Cabinet Dimension	30	24	24
	Door Dimension	14¾	23	¾
W332424	Cabinet Dimension	33	24	24
	Door Dimension	16½	23	¾
W362424	Cabinet Dimension	36	24	24
	Door Dimension	17¾	23	¾
W392424	Cabinet Dimension	39	24	24
	Door Dimension	18¾	23	¾

- All 24" High Cabinets Include One inner shelf

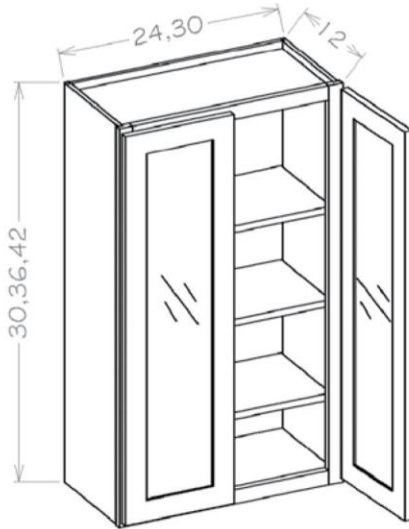
Glass Door Wall Cabinets - Single Door



Model	Description	Width	Height	Depth
W1530GD	Cabinet Dimension	15	30	12
	Door Dimension	14½	29	¾
W1536GD	Cabinet Dimension	15	36	12
	Door Dimension	14½	35	¾
W1542GD	Cabinet Dimension	15	42	12
	Door Dimension	14½	41	¾

- These cabinets do not come with mullions or glass
- The interior is painted/stained to match the exterior

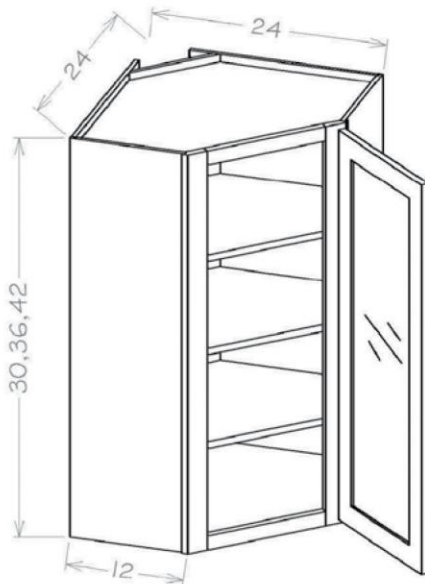
Glass Door Wall Cabinets - Double Door



Model	Description	Width	Height	Depth
W2430GD	Cabinet Dimension	24	30	12
	Door Dimension	11 ³ / ₄	29	³ / ₄
W2436GD	Cabinet Dimension	24	36	12
	Door Dimension	11 ³ / ₄	35	³ / ₄
W2442GD	Cabinet Dimension	24	42	12
	Door Dimension	11 ³ / ₄	41	³ / ₄
W3030GD	Cabinet Dimension	30	30	12
	Door Dimension	14 ³ / ₄	29	³ / ₄
W3036GD	Cabinet Dimension	30	36	12
	Door Dimension	14 ³ / ₄	35	³ / ₄
W3042GD	Cabinet Dimension	30	42	12
	Door Dimension	14 ³ / ₄	41	³ / ₄

- These cabinets do not come with mullions or glass
- The interior is painted/stained to match the exterior

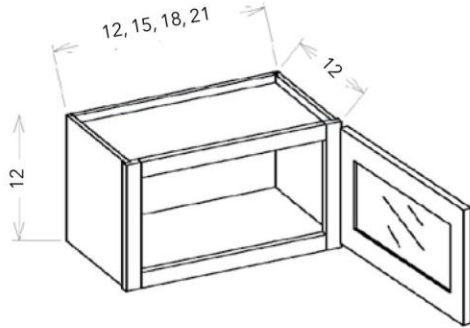
Glass Door Diagonal Wall Cabinet



Model	Description	Width	Height	Depth
DCW2430GD	Cabinet Dimension	24	30	12
	Door Dimension	15 ¹ / ₄	29	³ / ₄
DCW2436GD	Cabinet Dimension	24	36	12
	Door Dimension	15 ¹ / ₄	35	³ / ₄
DCW2442GD	Cabinet Dimension	24	42	12
	Door Dimension	15 ¹ / ₄	41	³ / ₄

- These cabinets do not come with mullions or glass
- The interior is painted/stained to match the exterior
- DCW Inside Openings are 12¹/₈" Wide

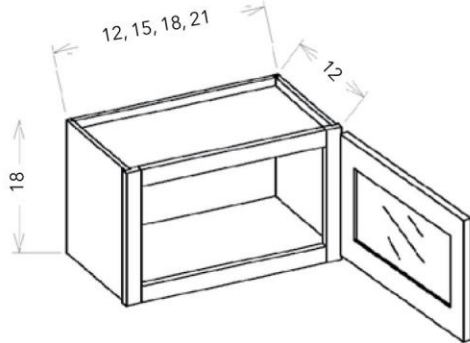
Glass Door Wall Stacker Cabinets 12" H - Single Door



Model	Description	Width	Height	Depth
W1212GD	Cabinet Dimension	12	12	12
	Door Dimension	11½	11	¾
W1512GD	Cabinet Dimension	15	12	12
	Door Dimension	14½	11	¾
W1812GD	Cabinet Dimension	18	12	12
	Door Dimension	17½	11	¾
W2112GD	Cabinet Dimension	21	12	12
	Door Dimension	20½	11	¾

- These cabinets do not come with mullions or glass
- The interior is painted/stained to match the exterior

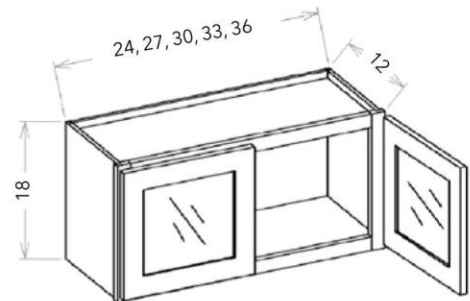
Glass Door Wall Stacker Cabinets 18" H - Single Door



Model	Description	Width	Height	Depth
W1218GD	Cabinet Dimension	12	18	12
	Door Dimension	11½	17	¾
W1518GD	Cabinet Dimension	15	18	12
	Door Dimension	14½	17	¾
W1818GD	Cabinet Dimension	18	18	12
	Door Dimension	17½	17	¾
W2118GD	Cabinet Dimension	21	18	12
	Door Dimension	20½	17	¾

- These cabinets do not come with mullions or glass
- The interior is painted/stained to match the exterior

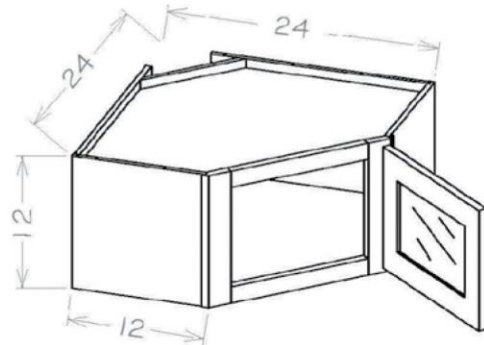
Glass Door Wall Stacker Cabinets 18" H - Single Door



Model	Description	Width	Height	Depth
W2418GD	Cabinet Dimension	24	18	12
	Door Dimension	11¾	17	¾
W2718GD	Cabinet Dimension	27	18	12
	Door Dimension	13¾	17	¾
W3018GD	Cabinet Dimension	30	18	12
	Door Dimension	14¾	17	¾
W3318GD	Cabinet Dimension	33	18	12
	Door Dimension	16¾	17	¾

- These cabinets do not come with mullions or glass
- The interior is painted/stained to match the exterior

Glass Door Diagonal Wall Stacker Cabinets 12" H



Model	Description	Width	Height	Depth
DCW2412GD	Cabinet Dimension	24	12	12
	Door Dimension	15 1/4	11	3/4

- These cabinets do not come with mullions or glass
- The interior is painted/stained to match the exterior

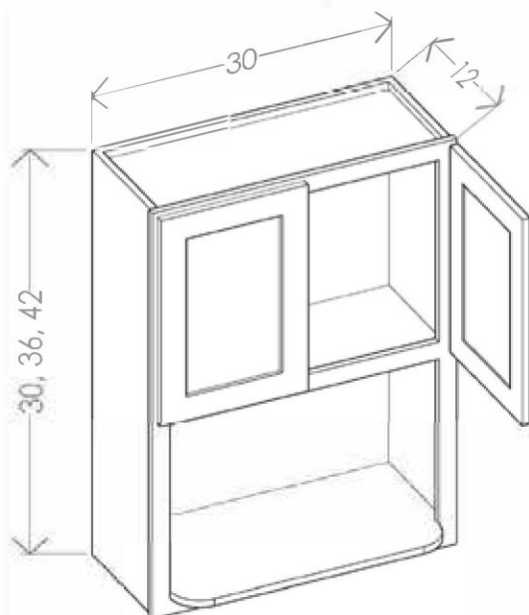
Wall Accessory Cabinets - Three Drawer Tower Stacking Cabinet



Model	Description	Width	Height	Depth
W3D18	Cabinet Dimension	18	18	12
	Drawer Front	17 1/2	5 3/8	3/4
	Drawer Box	13 1/2	2	9 7/8
W3D24	Cabinet Dimension	24	18	12
	Drawer Front	23 1/2	5 3/8	3/4
	Drawer Box	19 1/2	2	9 7/8

- Side mounted ball bearing glides with no soft close

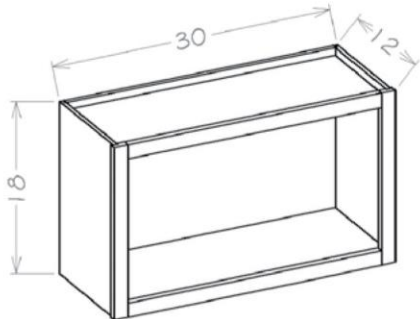
Wall Microwave Cabinets - Two Doors



Model	Description	Width	Height	Depth
MO3030	Cabinet Dimension	30	30	12
	Top Door Dimension	14 3/4	10 5/8	3/4
	Bottom Open Dimension	26 7/16	17 1/4	12
MO3036	Cabinet Dimension	30	36	12
	Top Door Dimension	14 3/4	15 5/8	3/4
	Bottom Open Dimension	26 7/16	17 1/4	12
MO3042	Cabinet Dimension	30	42	12
	Top Door Dimension	14 3/4	21 5/16	3/4
	Bottom Open Dimension	26 7/16	17 1/4	12

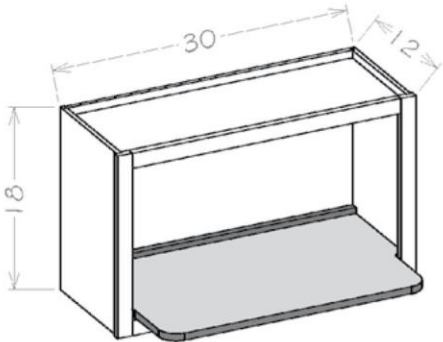
- MO3036 and MO3042 have a inner adjustable shelf

Wall Accessory Cabinets - Wall Open Cabinet



Model	Description	Width	Height	Depth
WOC3018	Cabinet Dimension	30	18	12
	No Doors	N/A	N/A	N/A

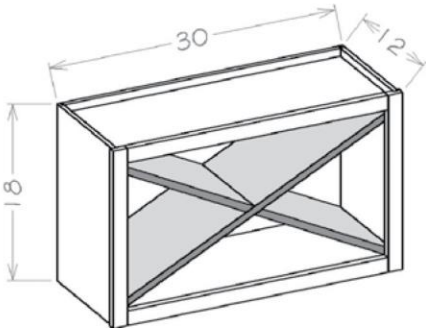
Wall Accessory Cabinets - Wall Open Cabinet Microwave Shelf Insert



Model	Description	Width	Height	Depth
WMSSHELF	Installed Shelf Dimension	26½	¾	17

- Used in conjunction with WOC3018

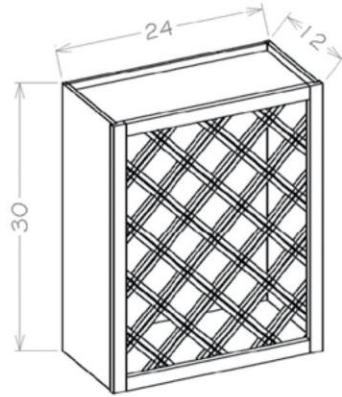
Wall Accessory Cabinets - Wall Open Cabinet - X Rack Insert



Model	Description	Width	Height	Depth
WXRSHLF	Installed Shelf Dimension	26½	14½	11

- Used in conjunction with WOC3018

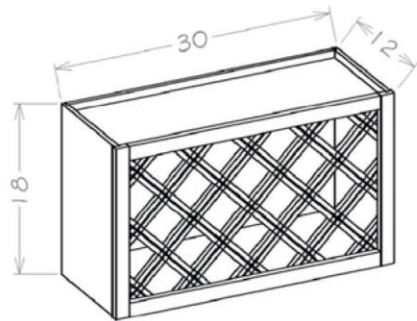
Wall Accessory Cabinets - Wine Rack



Model	Description	Width	Height	Depth
WRC2430	Cabinet Dimension	24	30	12

- Fits 17 Bottles
- For optimal functionality, insert rear lattice 1-1/2" from the back of the cabinet.

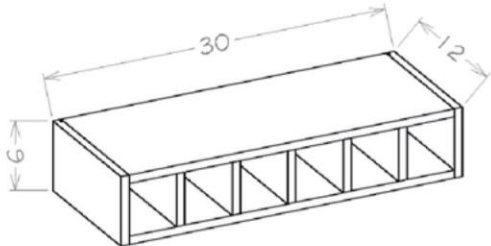
Wall Accessory Cabinets - Wine Rack



Model	Description	Width	Height	Depth
WRC3018	Cabinet Dimension	30	18	12

- Fits 10 Bottles
- For optimal functionality, insert rear lattice 1-1/2" from the back of the cabinet.

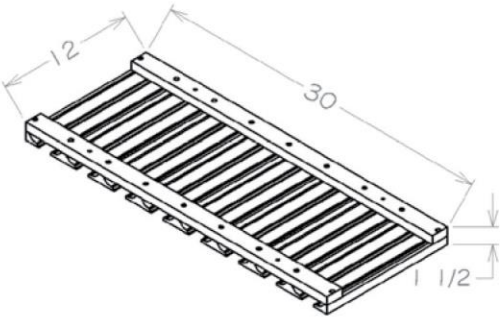
Wall Accessory Cabinets - Wine Cubby



Model	Description	Width	Height	Depth
WWC630	Cabinet Dimension	30	6	12

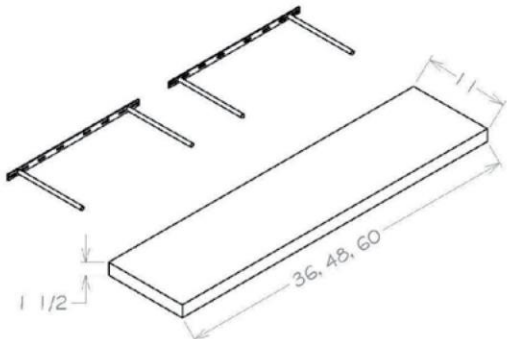
- Fits 6 Bottles

Specialty Wall - Stem Glass Holder



Model	Description	Width	Height	Depth
SGH30	Dimension	30	1½	12

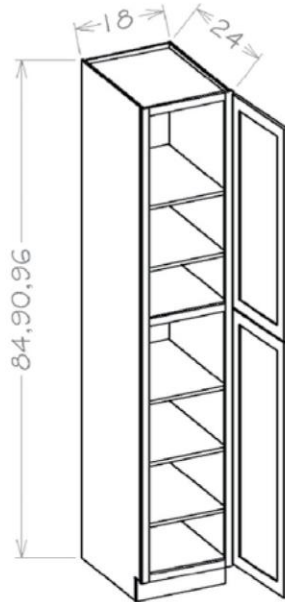
Specialty Wall - Floating Shelves



Model	Description	Width	Height	Depth
FS36	Dimension	36	1½	11
FS48	Dimension	48	1½	11
FS60	Dimension	60	1½	11

- 36"W floating shelf only has one mounting bracket.
- Recommended Max Weight: 25 lbs

Utility Cabinets - Two Doors



Model	Description	Width	Height	Depth
U188424	Cabinet Dimension	18	84	24
	Top Door Dimension	17½	29	¾
	Bottom Door Dimension	17½	49¼	¾
U189024	Cabinet Dimension	18	90	24
	Top Door Dimension	17½	35	¾
	Bottom Door Dimension	17½	49¼	¾
U189624	Cabinet Dimension	18	96	24
	Top Door Dimension	17½	41	¾
	Bottom Door Dimension	17½	49¼	¾

- Shaker & Traditional doors have a horizontal rail in the center of the bottom door.

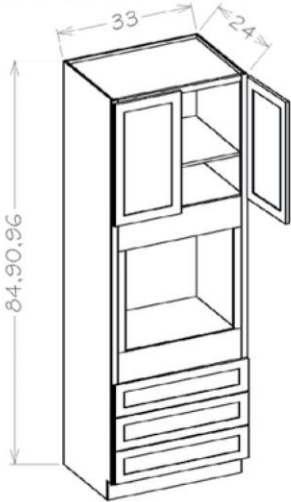
Utility Cabinets - Four Doors



Model	Description	Width	Height	Depth
U248424	Cabinet Dimension	24	84	24
	Top Door Dimension	11¾	29	¾
	Bottom Door Dimension	11¾	49¼	¾
U249024	Cabinet Dimension	24	90	24
	Top Door Dimension	11¾	35	¾
	Bottom Door Dimension	11¾	49¼	¾
U249624	Cabinet Dimension	24	96	24
	Top Door Dimension	11¾	41	¾
	Bottom Door Dimension	11¾	49¼	¾
U309024	Cabinet Dimension	30	90	24
	Top Door Dimension	14¾	35	¾
	Bottom Door Dimension	14¾	49¼	¾
U309624	Cabinet Dimension	30	96	24
	Top Door Dimension	14¾	41	¾
	Bottom Door Dimension	14¾	49¼	¾

- Shaker & Traditional doors have a horizontal rail in the center of the bottom door.

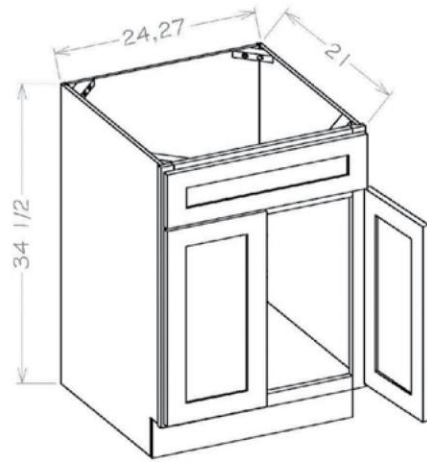
Oven Cabinets



- Oven opening can be modified in the field to accommodate a double oven.
- Height up to 40" with removal of top drawers/ cut down of top rails height is at 40"
- Width up to 31 1/2" wide with cut down of stiles

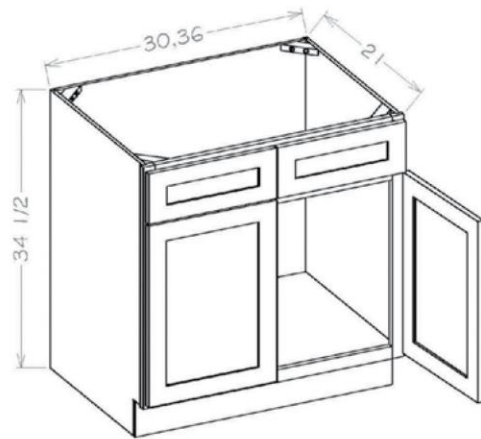
Model	Description	Width	Height	Depth
O338424	Cabinet Dimension	33	84	24
	Door Dimension	16¼	17	¾
	Drawer Fronts	32½	7¾	¾
	Drawer Boxes	29	5⅛	20¾
	Oven Opening	26½	24¾	22¾
O339024	Cabinet Dimension	33	90	24
	Door Dimension	16¼	23	¾
	Drawer Fronts	32½	7¾	¾
	Drawer Boxes	29	5⅛	20¾
	Oven Opening	26½	24¾	22¾
O339624	Cabinet Dimension	33	96	24
	Door Dimension	16¼	29	¾
	Drawer Fronts	32½	7¾	¾
	Drawer Boxes	29	5⅛	20¾
	Oven Opening	26½	24¾	22¾

Vanity Sink Bases - Double Door Single Drawer Front



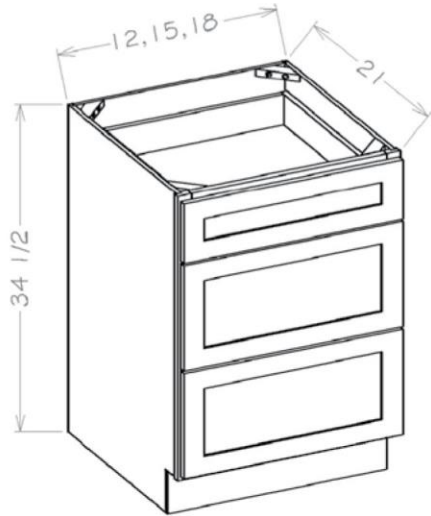
Model	Description	Width	Height	Depth
VS24	Cabinet Dimension	24	34½	21
	Door Dimension	11¾	22½	¾
	Drawer Front	23½	6¼	¾
VS27	Cabinet Dimension	27	34½	21
	Door Dimension	13¾	22½	¾
	Drawer Front	26½	6¼	¾

Vanity Sink Bases - Double Door Double Drawer Front



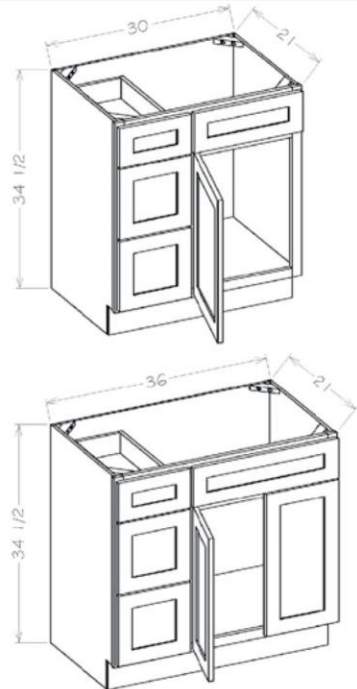
Model	Description	Width	Height	Depth
VS30	Cabinet Dimension	30	34½	21
	Door Dimension	14¾	22½	¾
	Drawer Front	14¾	6¼	¾
VS36	Cabinet Dimension	36	34½	21
	Door Dimension	17¾	22½	¾
	Drawer Front	17¾	6¼	¾

Vanity Drawer Bases



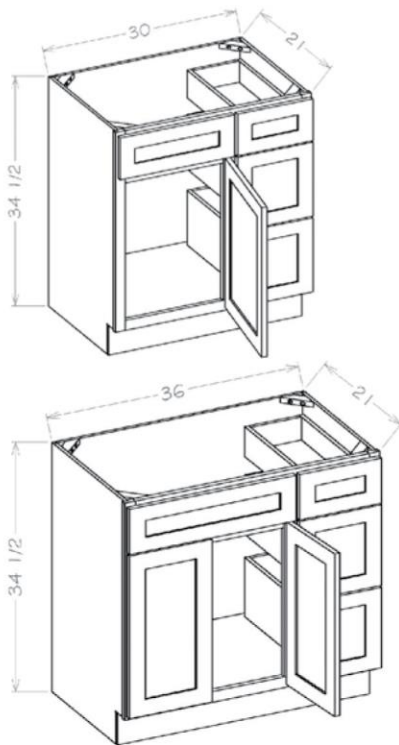
Model	Description	Width	Height	Depth
3VDB12	Cabinet Dimension	12	34½	21
	Top Drawer Front	11½	6¼	¾
	Bottom Drawer Front	11½	11⅛	¾
	Top Drawer Box	8	3⅜	17⅜
	Bottom Drawer Box	8	8¼	17⅜
3VDB15	Cabinet Dimension	15	34½	21
	Top Drawer Front	14½	6¼	¾
	Bottom Drawer Front	14½	11⅛	¾
	Top Drawer Box	11	3⅜	17⅜
	Bottom Drawer Box	11	8¼	17⅜
3VDB18	Cabinet Dimension	18	34½	21
	Top Drawer Front	17½	6¼	¾
	Bottom Drawer Front	17½	11⅛	¾
	Top Drawer Box	14	3⅜	17⅜
	Bottom Drawer Box	14	8¼	17⅜

Vanity Combo Bases - Drawers Left



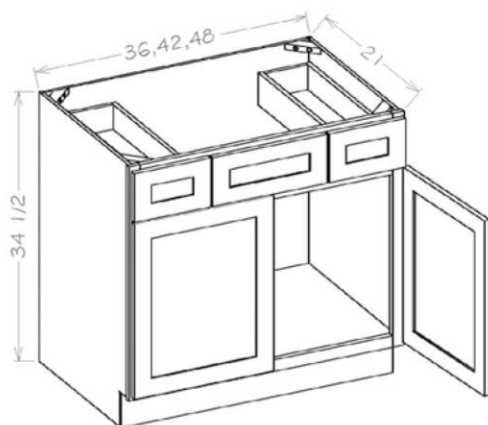
Model	Description	Width	Height	Depth
V3021DL	Cabinet Dimension	30	34½	21
	Top Drawer Front	11½	6¼	¾
	Bottom Drawer Front	11½	11⅛	¾
	Top Long Drawer Front	17½	6¼	¾
	Top Drawer Box	8	3⅜	18
	Bottom Drawer Box	8	8¼	18
	Door Dimension	17½	22½	¾
V3621DL	Cabinet Dimension	36	34½	21
	Top Drawer Front	11½	6¼	¾
	Bottom Drawer Front	11½	11⅛	¾
	Top Long Drawer Front	23½	6¼	¾
	Top Drawer Box	8	3⅜	18
	Bottom Drawer Box	8	8¼	18
	Door Dimension	11¾	22½	¾

Vanity Combo Bases - Drawers Right



Model	Description	Width	Height	Depth
V3021DR	Cabinet Dimension	30	34½	21
	Top Drawer Front	11½	6¼	¾
	Bottom Drawer Front	11½	11⅛	¾
	Top Long Drawer Front	17½	6¼	¾
	Top Drawer Box	8	3⅜	18
	Bottom Drawer Box	8	8¼	18
	Door Dimension	17½	22½	¾
V3621DR	Cabinet Dimension	36	34½	21
	Top Drawer Front	11½	6¼	¾
	Bottom Drawer Front	11½	11⅛	¾
	Top Long Drawer Front	23½	6¼	¾
	Top Drawer Box	8	3⅜	18
	Bottom Drawer Box	8	8¼	18
	Door Dimension	11¾	22½	¾

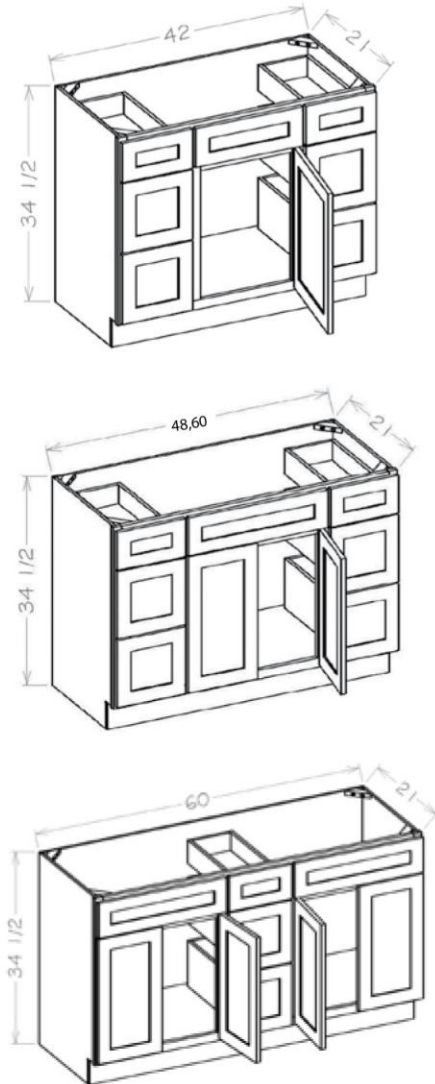
Vanity Combo Bases



• The VSD42 & 48 have a center stile.

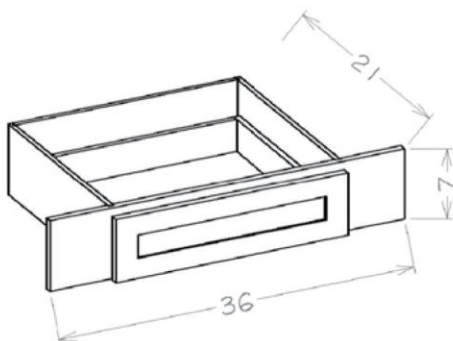
Model	Description	Width	Height	Depth
VSD36	Cabinet Dimension	36	34½	21
	Door Dimension	17¾	22½	¾
	Outside Drawer Front	10¼	6¼	¾
	Center Drawer Front	14½	6¼	¾
	Drawer Box	7⅞	3¼	17⅜
VSD42	Cabinet Dimension	42	34½	21
	Door Dimension	20¾	22½	¾
	Outside Drawer Front	11½	6¼	¾
	Center Drawer Front	18	6¼	¾
	Drawer Box	8⅞	3¼	17⅜
VSD48	Cabinet Dimension	48	34½	21
	Door Dimension	23¾	22½	¾
	Outside Drawer Front	14½	6¼	¾
	Center Drawer Front	18	6¼	¾
	Drawer Box	11⅜	3¼	17⅜

Vanity Combo Bases - Double Drawer Stack



Model	Description	Width	Height	Depth
VDDB42	Cabinet Dimension	42	34½	21
	Top Drawer Front	11½	6¼	¾
	Bottom Drawer Front	11½	11⅞	¾
	Top Long Drawer Front	175⁄8	6¼	¾
	Top Drawer Box	8½	3⅞	18
	Bottom Drawer Box	8½	8¼	18
	Door Dimension	175⁄8	22½	¾
VDDB48	Cabinet Dimension	48	34½	21
	Top Drawer Front	11½	6¼	¾
	Bottom Drawer Front	11½	11⅞	¾
	Top Long Drawer Front	235⁄8	6¼	¾
	Top Drawer Box	8½	3⅞	18
	Bottom Drawer Box	8½	8¼	18
	Door Dimension	11¾	22½	¾
VDDB60	Cabinet Dimension	60	34½	21
	Top Drawer Front	11½	6¼	¾
	Bottom Drawer Front	11½	11⅞	¾
	Top Long Drawer Front	355⁄8	6¼	¾
	Top Drawer Box	8½	3⅞	18
	Bottom Drawer Box	8½	8¼	18
	Door Dimension	175⁄8	22½	¾
VSDB60	Cabinet Dimension	60	34½	21
	Top Drawer Front	11½	6¼	¾
	Bottom Drawer Front	11½	11⅞	¾
	Top Long Drawer Front	235⁄8	6¼	¾
	Top Drawer Box	8½	3⅞	18
	Bottom Drawer Box	8½	8¼	18
	Door Dimension	11¾	22½	¾

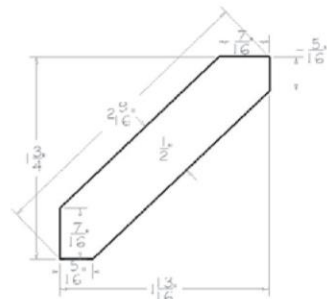
Special Vanity - Vanity Knee Drawer



Model	Description	Width	Height	Depth
VKD36	Cabinet Dimension	36	7	21
	Drawer Front	23½	6¼	¾
	Drawer Box	19¾	3⅞	17⅞

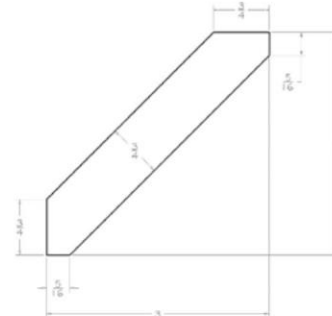
- Trimmable to 27" wide

Crown Moulding - 1 3/4"H Angled Crown Moulding



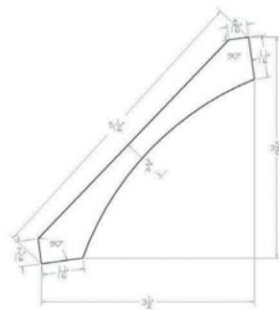
Model	Description	Width	Height	Depth
ACM8	Dimension	96	1 3/4	1 13/16

Crown Moulding - 3"H Angled Crown Moulding



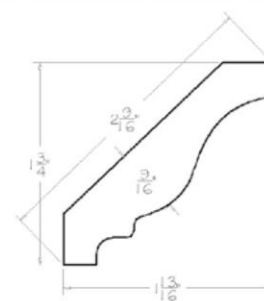
Model	Description	Width	Height	Depth
LACM8	Dimension	96	3	3

Crown Moulding - Cove Moulding



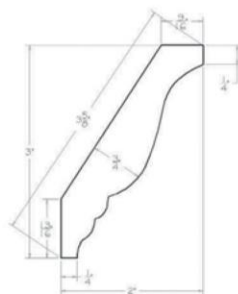
Model	Description	Width	Height	Depth
COV	Dimension	96	3 5/8	3 1/2

Crown Moulding - Classic Crown Moulding



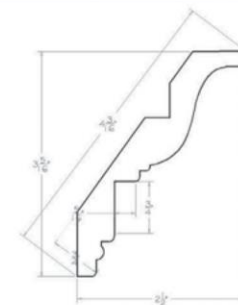
Model	Description	Width	Height	Depth
CM8	Dimension	96	2 3/4	1 13/16

Crown Moulding - Decorative Crown Moulding



Model	Description	Width	Height	Depth
DCM	Dimension	96	3	2

Crown Moulding - Inset Crown Moulding



Model	Description	Width	Height	Depth
ICM	Dimension	96	3 5/16	2 1/2

Mouldings - Angled Light Rail Moulding

Model	Description	Width	Height	Depth
ALRM	Dimension	96	1 1/2	2

- Not available in Casselberry or York Styles

Mouldings - Light Rail Moulding

Model	Description	Width	Height	Depth
LRM	Dimension	96	1 3/16	1 7/16

Mouldings - Outside Corner Moulding

Model	Description	Width	Height	Depth
OCM	Dimension	96	3/4	3/4

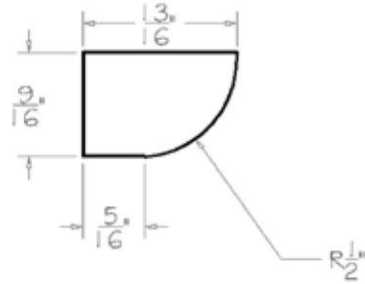
Mouldings - Batten Moulding

Model	Description	Width	Height	Depth
BAM	Dimension	96	3/4	3/16

Mouldings - Scribe Moulding

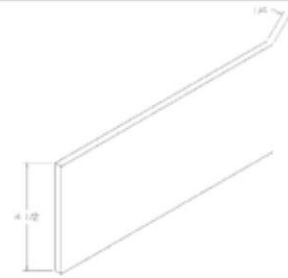
Model	Description	Width	Height	Depth
SCR	Dimension	96	3/4	1/4

Mouldings - Shoe Moulding



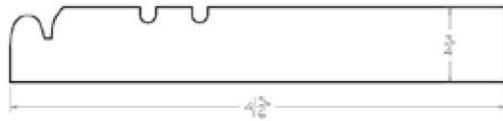
Model	Description	Width	Height	Depth
SHM	Dimension	96	3/4	1/2

Mouldings - Toe Kick Cover



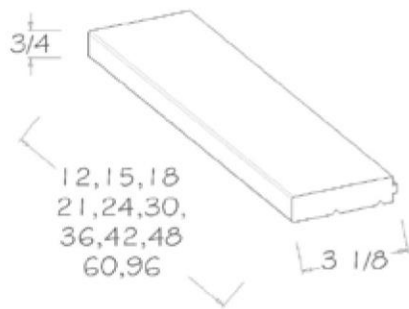
Model	Description	Width	Height	Depth
TKC	Dimension	96	4 1/2	1/4

Mouldings - Furniture Base Moulding



Model	Description	Width	Height	Depth
FBM	Dimension	96	4 1/8	3/4

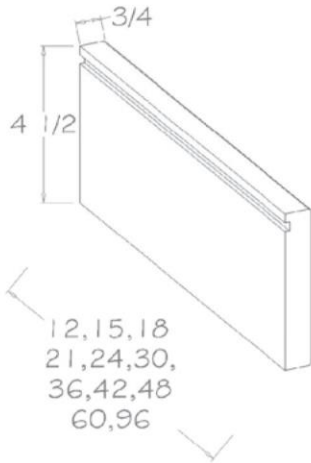
Toe Kick Apron Support



- Finished on all sides and edges
- Required for use with Toe Kick Apron Mouldings & Bun Feet

Model	Description	Width	Height	Depth
TAS12	Dimension	12	3/4	3 1/8
TAS15	Dimension	15	3/4	3 1/8
TAS18	Dimension	18	3/4	3 1/8
TAS21	Dimension	21	3/4	3 1/8
TAS24	Dimension	24	3/4	3 1/8
TAS30	Dimension	30	3/4	3 1/8
TAS36	Dimension	36	3/4	3 1/8
TAS42	Dimension	42	3/4	3 1/8
TAS48	Dimension	48	3/4	3 1/8
TAS60	Dimension	60	3/4	3 1/8
TAS96	Dimension	96	3/4	3 1/8

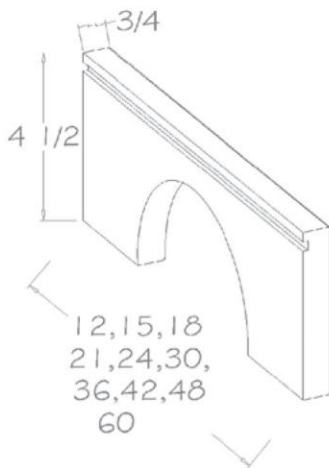
Toe Kick Apron Moulding



Model	Description	Width	Height	Depth
TAM12	Dimension	12	4½	¾
TAM15	Dimension	15	4½	¾
TAM18	Dimension	18	4½	¾
TAM21	Dimension	21	4½	¾
TAM24	Dimension	24	4½	¾
TAM30	Dimension	30	4½	¾
TAM36	Dimension	36	4½	¾
TAM42	Dimension	42	4½	¾
TAM48	Dimension	48	4½	¾
TAM60	Dimension	60	4½	¾
TAM96	Dimension	96	4½	¾

- Finished on all sides and edges
- Must be used with Toe Kick Apron Support (TAS)

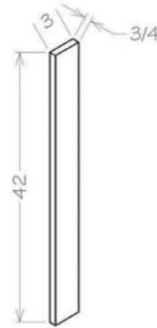
Toe Kick Arched Apron Moulding



Model	Description	Width	Height	Depth
TAA12	Dimension	12	4½	¾
TAA15	Dimension	15	4½	¾
TAA18	Dimension	18	4½	¾
TAA21	Dimension	21	4½	¾
TAA24	Dimension	24	4½	¾
TAA30	Dimension	30	4½	¾
TAA36	Dimension	36	4½	¾
TAA42	Dimension	42	4½	¾
TAA48	Dimension	48	4½	¾
TAA60	Dimension	60	4½	¾

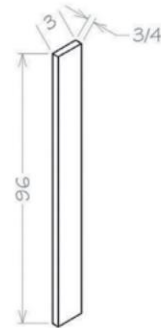
- Finished on all sides and edges
- Must be used with Toe Kick Apron Support (TAS)
- Trimmable up to 1½" on each side

Fillers - 3" Wall/Base Filler



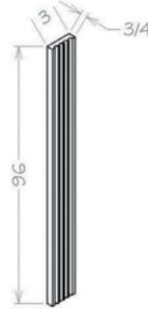
Model	Description	Width	Height	Depth
F342	Dimension	3	42	3/4

Fillers - 3" Tall Filler



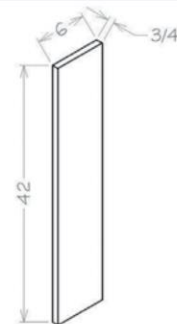
Model	Description	Width	Height	Depth
F396	Dimension	3	96	3/4

Fillers - 3" Fluted Filler



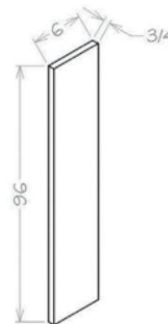
Model	Description	Width	Height	Depth
FF396	Dimension	3	96	3/4

Fillers - 6" Wall/Base Filler



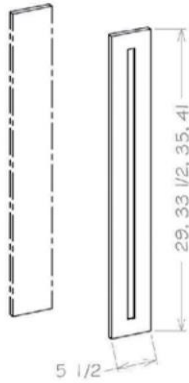
Model	Description	Width	Height	Depth
F642	Dimension	6	42	3/4

Fillers - 6" Tall Filler



Model	Description	Width	Height	Depth
F696	Dimension	6	96	3/4

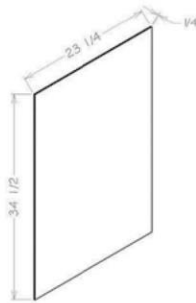
Filler Overlays



Model	Description	Width	Height	Depth
FOL630	Dimension	5½	29	¾
FOL634	Dimension	5½	33½	¾
FOL636	Dimension	5½	35	¾
FOL642	Dimension	5½	41	¾

- Filler overlays have a matching door profile.
- 6" filler required for application (purchased separately)

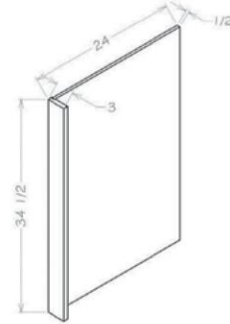
Panels - Base Skin Panel



Model	Description	Width	Height	Depth
BSV	Dimension	23¼	34½	¼

- Only finished on one side

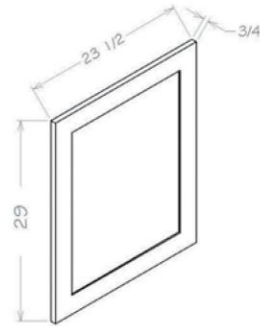
Panels - Dishwasher Return Panel



Model	Description	Width	Height	Depth
DWR3	Dimension	3	34½	24

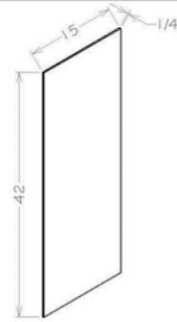
- Both sides finished

Panels - Base Decorative End Panel



Model	Description	Width	Height	Depth
BDEP	Dimension	23 1/2	29	3/4

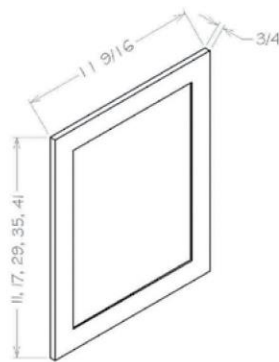
Panels - Wall Skin Panel



Model	Description	Width	Height	Depth
WSV42	Dimension	15	42	1/4

- Only finished on one side

Panels - Wall Decorative End Panel



Model	Description	Width	Height	Depth
WDEP1212	Dimension	11 1/2	11	3/4
WDEP1218	Dimension	11 1/2	17	3/4
WDEP30	Dimension	11 1/2	29	3/4
WDEP36	Dimension	11 1/2	35	3/4
WDEP42	Dimension	11 1/2	41	3/4

Panels - Utility Skin Panel



Model	Description	Width	Height	Depth
USV2496	Dimension	23 1/4	96	1/4

- Only finished on one side

Panels - Long Skin Panel



Model	Description	Width	Height	Depth
FPV4296	Dimension	42	96	1/4

- Grain runs long way
- Only finished on one side
- Material is MDF

Panels - Bead Board Panel



Model	Description	Width	Height	Depth
BBFPV4296	Dimension	42	96	1/4

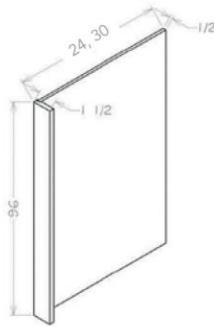
Panels - Finished Shelf Board



Model	Description	Width	Height	Depth
S2496	Dimension	24	96	3/4

- One long edge banded to match
- Finished on both sides

Panels - Refrigerator End Panel



Model	Description	Width	Height	Depth
REPV3096	Dimension	1 1/2	96	30
REPV2496	Dimension	1 1/2	96	24

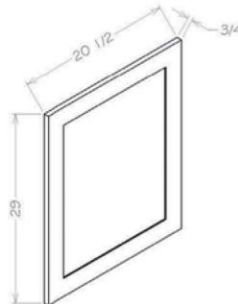
Panels - Tall Decorative End Panel



Model	Description	Width	Height	Depth
TDEP2484	Dimension	23 1/2	78 1/2	30
TDEP2490	Dimension	23 1/2	84 1/2	30
TDEP2496	Dimension	23 1/2	90 1/2	30

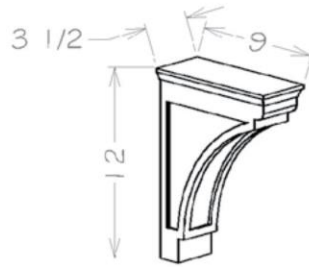
- Shaker & Traditional panels have horizontal rail in the center of the bottom panel.

Panels - Vanity Decorative End Panel



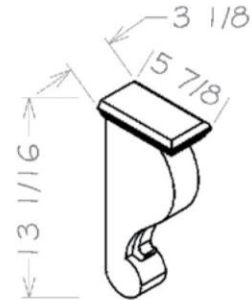
Model	Description	Width	Height	Depth
VDEP	Dimension	20 1/2	29	3/4

Corbels - Modern Corbel



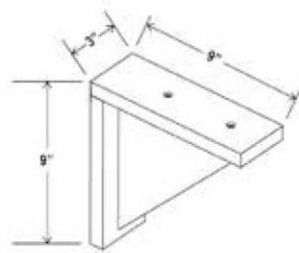
Model	Description	Width	Height	Depth
MCB	Dimension	3½	12	9

Corbels - Traditional Corbel



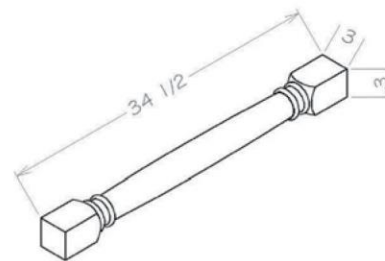
Model	Description	Width	Height	Depth
CBT	Dimension	3 1/8	13 1/16	5 7/8

Corbels



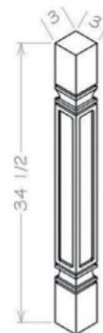
Model	Description	Width	Height	Depth
CB9	Dimension	3	9	9

Decorative Legs - Classic Decorative Leg



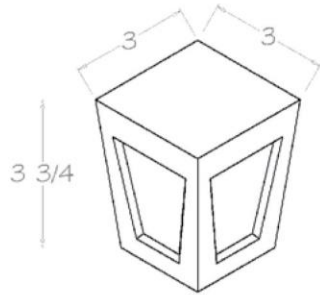
Model	Description	Width	Height	Depth
CLDL	Dimension	3	34½	3

Decorative Legs - Square Decorative Leg



Model	Description	Width	Height	Depth
SQDL	Dimension	3	34½	3

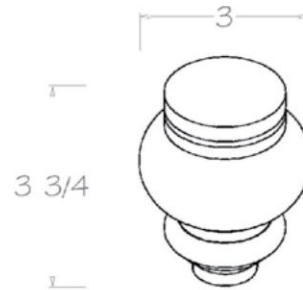
Bun Feet - Taper Foot



Model	Description	Width	Height	Depth
TF4	Dimension	3	3 3/4	3

- Must be used with Toe Kick Apron Support (TAS)

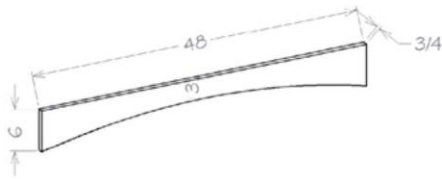
Bun Feet - Circle Foot



Model	Description	Width	Height	Depth
CF4	Dimension	3	3 3/4	3

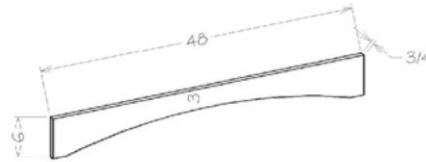
- Must be used with Toe Kick Apron Support (TAS)

Valances - Arched Valance



Model	Description	Width	Height	Depth
VA48	Dimension	48	6	3/4

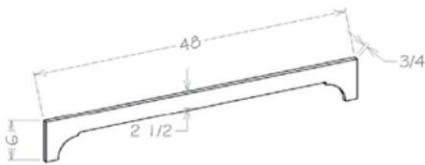
Valances - Shaker Valance



Model	Description	Width	Height	Depth
VASH48	Dimension	48	6	3/4

- Trimmable on each side by 1 1/4"
- Finished on both sides and two long edges

Valances - Crown Valance



Model	Description	Width	Height	Depth
VACR48	Dimension	48	6	3/4

- Trimmable on each side by 1 1/4"
- Finished on both sides and two long edges

Touch Up Kit - TUK

